

# 3 ARMS CONTROL HANDWHEEL WITH SMOOTH OR THREADED HOLE

# D214



## Material:

Reinforced and stabilised polyamide.  
Oils and greases resistant.

## Surface:

Satin.

## Colour:

Black (RAL 9011).

## Central Cap:

Grey polyamide (RAL 7035 cod. 13).

## Alternative Cap Colour:

Orange (RAL 2004 cod. 02)

Blue (RAL 5015 cod. 07)

Yellow (RAL 1021 cod. 10)

Red (RAL 3000 cod. 16)

Green (RAL 6024 cod. 17)

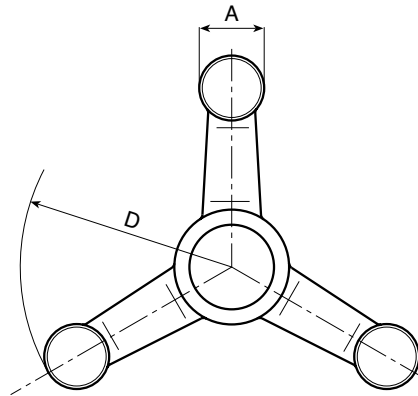
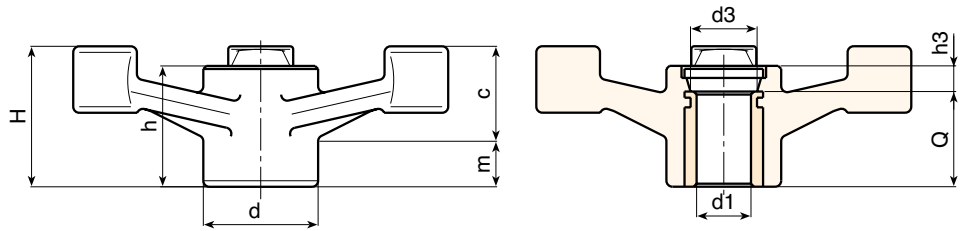
Black (RAL 9011 cod. 01)

## Main Insert:

**Version TD:** Zinc plated steel insert with smooth through-hole (H10 tolerance).

**Version TM:** Zinc plated steel insert with threaded through-hole (6H tolerance).

For fixing system, or execution of keyway or square holes, please refer to the technical notes attached to the catalogue.



## SPECIAL REQUEST:

- It's possible to supply the inserts with d1 bore by customer design, on request and for quantities.
- It's possible to supply the inserts in different material and treatment-finishes, on request and for quantities.
- It's possible to supply the products with orange colours, on request and for quantities. (RAL 2004 cod. 02).



### Version TD with zinc plated insert and H10 tolerance bore.

| Art.                   | D          | H  | h    | d  | m  | c  | A  | h3   | d3 | Dm | d1 H10 | Q  | g   |
|------------------------|------------|----|------|----|----|----|----|------|----|----|--------|----|-----|
| <b>D214140.TD0801P</b> | <b>137</b> | 45 | 39,5 | 38 | 19 | 26 | 22 | 7,5  | 26 | 22 | 8      | 32 | 200 |
| <b>D214180.TD0801P</b> | <b>177</b> | 56 | 42,5 | 38 | 20 | 35 | 23 | 10,5 | 26 | 22 | 8      | 32 | 280 |
| <b>D214220.TD0801P</b> | <b>221</b> | 61 | 46   | 38 | 22 | 39 | 25 | 14   | 26 | 22 | 8      | 32 | 340 |

**Attention:** bore d1 (H10 tolerance) could be produced by request, with 100 pieces minimum.

**Dm** = It's possible to increase the hole, by boring, until Dm (enlarge).

### Version TM with zinc plated insert and 6H tolerance threaded bore .

| Art.                   | D          | H  | h    | d  | m  | c  | A  | h3   | d3 | d1 6H      | Q  | g   |
|------------------------|------------|----|------|----|----|----|----|------|----|------------|----|-----|
| <b>D214140.TM1201P</b> | <b>137</b> | 45 | 39,5 | 38 | 19 | 26 | 22 | 7,5  | 26 | <b>M12</b> | 32 | 197 |
| <b>D214140.TM1401P</b> | <b>137</b> | 45 | 39,5 | 38 | 19 | 26 | 22 | 7,5  | 26 | <b>M14</b> | 32 | 195 |
| <b>D214140.TM1601P</b> | <b>137</b> | 45 | 39,5 | 38 | 19 | 26 | 22 | 7,5  | 26 | <b>M16</b> | 32 | 193 |
| <b>D214180.TM1601P</b> | <b>177</b> | 56 | 42,5 | 38 | 20 | 35 | 23 | 10,5 | 26 | <b>M16</b> | 32 | 275 |
| <b>D214180.TM1801P</b> | <b>177</b> | 56 | 42,5 | 38 | 20 | 35 | 23 | 10,5 | 26 | <b>M18</b> | 32 | 270 |
| <b>D214220.TM1401P</b> | <b>221</b> | 61 | 46   | 38 | 22 | 39 | 25 | 14   | 26 | <b>M14</b> | 32 | 335 |
| <b>D214220.TM1601P</b> | <b>221</b> | 61 | 46   | 38 | 22 | 39 | 25 | 14   | 26 | <b>M16</b> | 32 | 333 |
| <b>D214220.TM1801P</b> | <b>221</b> | 61 | 46   | 38 | 22 | 39 | 25 | 14   | 26 | <b>M18</b> | 32 | 330 |

Presumable presence in the stock in %

(🏠) 90% (😊) 40% (😐) 5% (😞)

BOTECO® - © All right reserved - [www.boteco.it](http://www.boteco.it)

Any unauthorized reproduction is strictly forbidden



# BOTECO

## D - CONTROL HANDWHEELS