

**FAMILY - P
MOUNTING FEET**

UPDATE 2013



BOTECO®

ALL PURPOSE HANDGRIPS

P200



HDPE

UL94 HB



KNURLED MOUNTING FOOT WITH THREADED STUD

Material:

Polyethylene.

Surface:

Satin.

Colour:

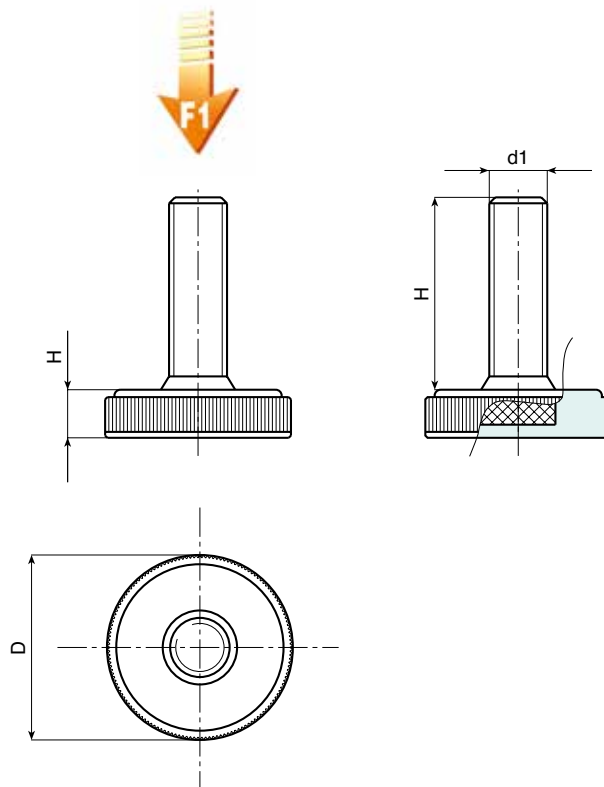
Black (RAL 9011).

Insert:

Zinc plated steel threaded stud.

SPECIAL REQUESTS:

- It is possible to supply the inserts with different lengths, on request and for quantities (minimum quantity 10.000 pcs).



	Art.	D	H	d1	Q	g	F1 (N)
	P20025.TM06X1701	25	7	M06	17	7	1000
	P20025.TM08X2501	25	7	M08	25	14	1000
	P20025.TM10X3501	25	7	M10	35	25	1000
	P20035.TM08X2501	35	9	M08	25	18	1000
	P20035.TM10X..01	35	9	M10	25-40	25-32	1000
	P20040.TM10X3501	40	9	M10	35	35	1000
	P20050.TM10X3501	50	9,5	M10	35	40	1000
	P20060.TM10X3501	60	10,5	M10	35	50	1000

Enter the stud length in the two . . of the code number

P - MOUNTING FEET

ver. PUK.16-0613



BOTECA

P - 2

Presumable presence in the stock in %

90% 40% 5%

www.boteco.it - © All right reserved - BOTECA®
Any unauthorized reproduction is strictly forbidden

MOUNTING FOOT WITH THREADED STUD

P202



Material:

Polyethylene.

Surface:

Satin.

Colour:

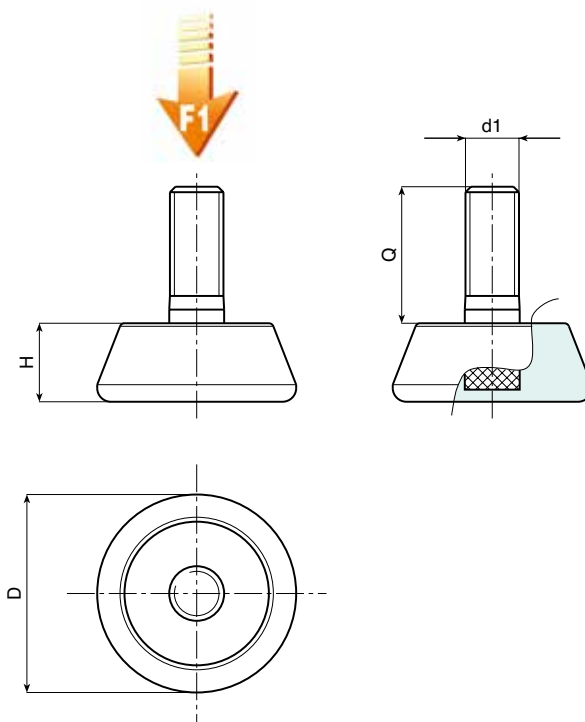
Black (RAL 9011).

Insert:

Zinc plated steel threaded stud.

SPECIAL REQUESTS:

- It is possible to supply the inserts with different lengths, on request and for quantities (minimum quantity 10.000 pcs).



	Art.	D	H	d1	Q	g	F1 (N)
☺	P20230.TM08X2001	29	11,5	M08	20	17	1000
☺	P20230.TM10X2001	29	11,5	M10	20	20	1000
☺	P20240.TM08X2501	40	13,5	M08	25	29	1000
☺	P20240.TM10X2501	40	13,5	M10	25	33	1000
☺	P20250.TM10X3501	48	15,5	M10	35	54	1000
☺	P20250.TM12X3501	48	15,5	M12	35	65	1000
☺	P20260.TM10X3701	60	17,5	M10	37	78	1000
☺	P20260.TM12X3701	60	17,5	M12	37	8	1000

Presumable presence in the stock in %

(📦) 90% (☺) 40% (☹) 5% (⊖)

BOTECO® - © All right reserved - www.boteco.it

Any unauthorized reproduction is strictly forbidden



BOTECO

P - MOUNTING FEET

P201



HDPE

UL94
HB



MOUNTING FOOT WITH REVOLVING THREADED STUD

Material:

Polyethylene.

Surface:

Satin.

Colour:

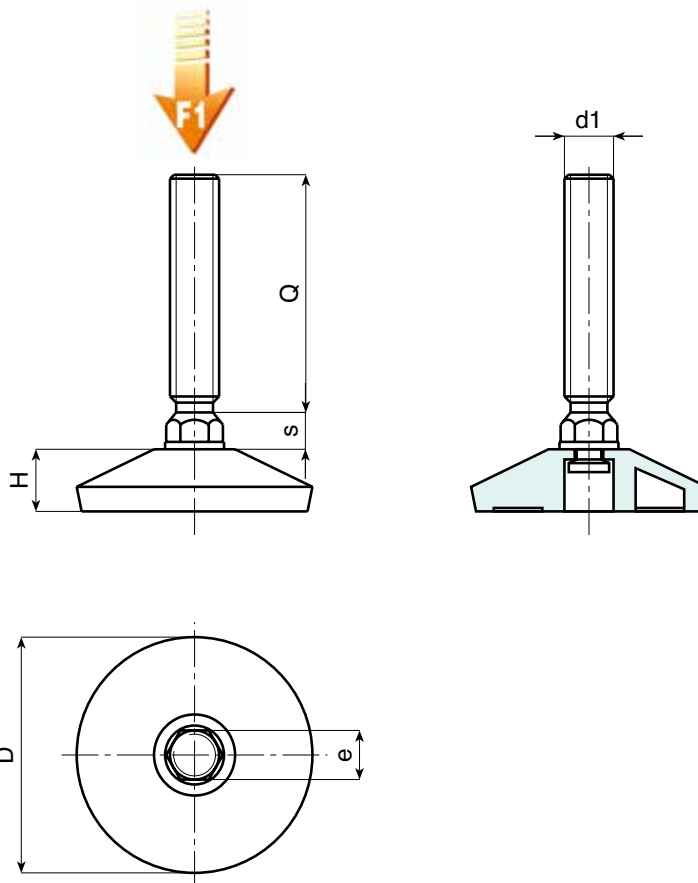
Black (RAL 9011).

Insert:

Zinc plated steel revolving threaded stud.

SPECIAL REQUESTS:

- It is possible to supply the inserts with different lengths, on request and for quantities (minimum quantity 10.000 pcs).



Art.	D	H	e	s	d1	Q	g	F1 (N)
P20140.TM10X..01	37	11,5	⊕ 10	6	M10	25	28-31	2000
P20150.TM10X3001	49	13	⊕ 10	6	M10	30	35	2000
P20150.TM12X3501	49	13	⊕ 12	6	M12	35	48	2000

Enter the stud length in the two . . of the code number

P - MOUNTING FEET

ver. PUK.16-0613



BOTECA

P - 4

Presumable presence in the stock in %

(☺) 90% (☹) 40% (⊖) 5% (⊗)

www.boteco.it - © All right reserved - BOTECA®
Any unauthorized reproduction is strictly forbidden

MOUNTING FOOT WITH REVOLVING THREADED STUD

P203



Material:

Polyethylene.

Surface:

Satin.

Colour:

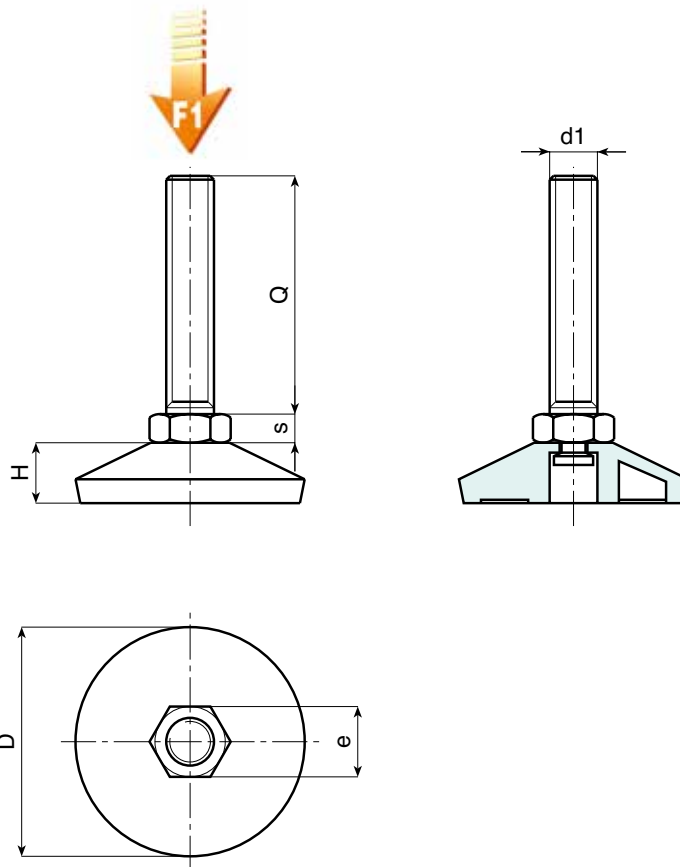
Black (RAL 9011).

Insert:

Zinc plated steel revolving threaded stud.

SPECIAL REQUESTS:

- None.



	Art.	D	H	e	s	d1	Q	g	F1 (N)
	P20340.TM10X..01	37	11,5	⬡ 17	6,5	M10	40-60	39-49	2000
	P20350.TM10X..01	49	13	⬡ 17	6,5	M10	40-60	44-54	2000

Enter the stud length in the two . . of the code number

Presumable presence in the stock in %

90% 40% 5%

BOTECO® - © All right reserved - www.boteco.it
Any unauthorized reproduction is strictly forbidden



BOTECO

P - MOUNTING FEET

P820 - P821

SMALL SOLID MOUNTING FEET



Material: Reinforced polyamide. Oils and greases resistant.

Surface: Satin.

Colour: Black (RAL 9011).

Insert: Zinc plated steel articulated, threaded stud.

Non-Slip Base:

Version P821: PP-based thermoplastic rubber 60 shore black only (RAL 9011).

SPECIAL REQUESTS:

- It is possible to supply the inserts with different lengths, on request and for quantities.
- It is possible to supply the inserts in different materials, on request and for quantities.
- Upon request and for special quantities the foot can be supplied in Orange (RAL 2004).

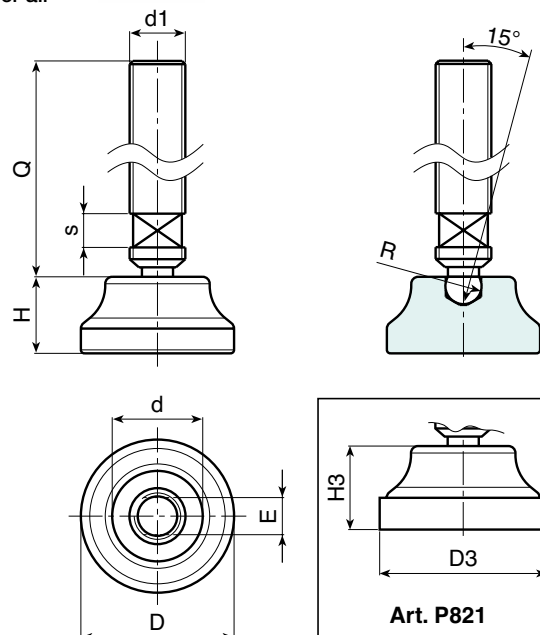
NOTE: The base of mounting foot P820 can be used in combination with other all-purpose handgrips.



Art. P820 + G730



Art. P821



Art.	D3	H3	d	E	s	R	d1	Q	g	F1 (N)
P82019.TM08X..01	19	10	13	6	6	6,1	M08	50-90	20-32	4000
P82022.TM08X..01	22	11	15	6	6	6,1	M08	50-90	21-33	4000
P82022.TM10X..01	22	11	15	8	6	7,8	M10	50-90	31-50	4000
P82026.TM08X..01	26	12,5	18	6	6	6,1	M08	50-90	24-36	4000
P82026.TM10X..01	26	12,5	18	8	6	7,8	M10	50-90	34-53	4000
P82026.TM12X..01	26	12,5	18	10	6	9,4	M12	50-90	46-73	4000

Enter the stud length in the two . . of the code number. It's possible to have different lengths, by customers requests. Minimum 100 pieces.

P821 Version - Version with non-slip PP base

Art.	D3	H3	d	E	s	R	d1	Q	g	F1 (N)
P82119.TM08X..01	19	10	13	6	6	6,1	M08	50-90	21-33	4000
P82122.TM08X..01	22	11	15	6	6	6,1	M08	50-90	22-34	4000
P82122.TM10X..01	22	11	15	8	6	7,8	M10	50-90	32-51	4000
P82126.TM08X..01	26	12,5	18	6	6	6,1	M08	50-90	26-38	4000
P82126.TM10X..01	26	12,5	18	8	6	7,8	M10	50-90	36-55	4000
P82126.TM12X..01	26	12,5	18	10	6	9,4	M12	50-90	48-75	4000

Enter the stud length in the two . . of the code number. It's possible to have different lengths, by customers requests. Minimum 100 pieces.

P - MOUNTING FEET

ver. PUK.16-0613



BOTECA

P - 6

Presumable presence in the stock in %

(🏭) 90% (😊) 40% (😐) 5% (😞)

www.boteco.it - © All right reserved - BOTECA®
Any unauthorized reproduction is strictly forbidden

SOLID MOUNTING FOOT

P814



Material:

Reinforced polyamide.
Oils and greases resistant.

Surface:

Satin.

Colour:

Black (RAL 9011).

Insert: Zinc plated steel articulated, threaded stud.

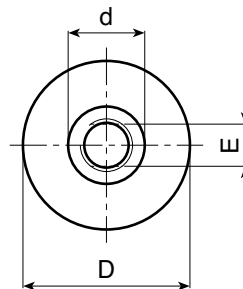
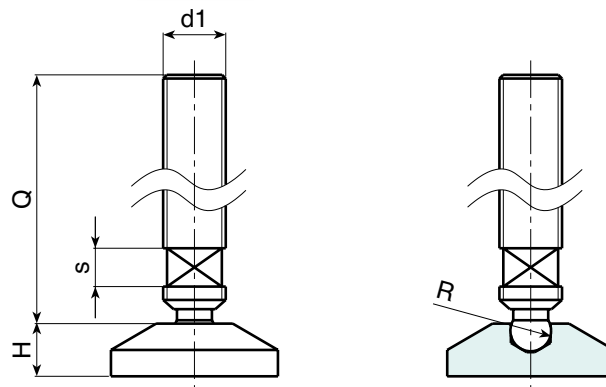
SPECIAL REQUESTS:

- It is possible to supply the inserts with different lengths, on request and for quantities.
- Upon request and for special quantities the foot can be supplied in Orange (RAL 2004).

NOTE: The base of mounting foot P814 can be used in combination with other all-purpose handgrips.



Art. P814 + G730/G732



Art.	D	H	d	E	s	R	d1	Q	g	F1 (N)
☺ P81432.TM10X..01	32	10	15,5	6	6	8	M10	50-90	32-53	4000
☺ P81432.TM12X..01	32	10	15,5	6	6	8	M12	50-90	50-90	4000

Enter the stud length in the two . . of the code number. It's possible to have different lengths, by customers requests. Minimum 100 pieces.

Presumable presence in the stock in %

(☺) 90% (☹) 40% (⊖) 5% (⊕)

BOTECO® - © All right reserved - www.boteco.it
Any unauthorized reproduction is strictly forbidden



BOTECO

P900

P905 - P906 - P907
P900CIN - P905CIN

MOUNTING FOOT WITH STEEL AND STAINLESS STEEL STUD

P900 Version - Mounting foot with stud type A - R12,5

	Art.	D	H	H1	E	s	R	d1	Q	g	F1 (N)
😊	P90040.TM08X..01	40	17	23	13	5	12,4	M08	45-70	40-47	10.000
😊	P90040.TM10X..01	40	17	23	13	5	12,4	M10	45-70-100	48-60-75	10.000
😊	P90040.TM12X..01	40	17	23	13	5	12,4	M12	45-70-100	58-75-97	10.000
😊	P90050.TM08X..01	50	18	24	13	5	12,4	M08	45-70	46-53	10.000
😊	P90050.TM10X..01	50	18	24	13	5	12,4	M10	45-70-100	54-63-77	10.000
😊	P90050.TM12X..01	50	18	24	13	5	12,4	M12	45-70-100	64-78-99	10.000
😊	P90060.TM08X..01	60	20	26	13	5	12,4	M08	45-70	58-66	10.000
😊	P90060.TM10X..01	60	20	26	13	5	12,4	M10	45-70-100	68-80-95	10.000
😊	P90060.TM12X..01	60	20	26	13	5	12,4	M12	45-70-100	78-96-117	10.000

Enter the stud length in the two . . of the code number.

P905 Version - Mounting foot with stud type A - R15

	Art.	D	H	H1	E	s	R	d1	Q	g	F1 (N)
	P90560.TM12X..01	60	20	26	16	6,5	15	M12	50-70-90-110	pag.29	13.000
	P90560.TM14X..01	60	20	26	16	6,5	15	M14	50-70-90-110-130-150	pag.29	13.000
	P90560.TM16X..01	60	20	26	16	6,5	15	M16	50-70-90-110-130-150-170-190	pag.29	13.000

Enter the stud length in the two . . of the code number. It's possible to have different lengths, by customers requests. Minimum 100 pieces.

P906 Version - Mounting foot with stud type B - R12,5

	Art.	D	H	H1	E	s	R	d1	Q	g	F1 (N)
	P90660.TM16X..01	60	20	26	13	7	12,4	M16	50-70-90-110-130-150-170	pag.30	10.000

Enter the stud length in the two . . of the code number. It's possible to have different lengths, by customers requests. Minimum 100 pieces.

P907 Version - Mounting foot with stud type B - R15

	Art.	D	H	H1	E	s	R	d1	Q	g	F1 (N)
	P90760.TM20X..01	60	20	26	16	7	15	M20	50-70-90-110-130-150-170-190-210	pag.30	13.000

Enter the stud length in the two . . of the code number. It's possible to have different lengths, by customers requests. Minimum 100 pieces.

P900 CIN Version - Mounting foot with stud type A - R12,5 in stainless steel

	Art.	D	H	H1	E	s	R	d1	Q	g	F1 (N)
☹	P90040.TM08X..01CIN	40	17	23	13	5	12,4	M08	45-70	40-47	10.000
☹	P90040.TM10X..01CIN	40	17	23	13	5	12,4	M10	45-70	48-60	10.000
☹	P90040.TM12X..01CIN	40	17	23	13	5	12,4	M12	45-70-100	58-75-99	10.000
☹	P90050.TM08X..01CIN	50	18	24	13	5	12,4	M08	45-70	46-53	10.000
☹	P90050.TM10X..01CIN	50	18	24	13	5	12,4	M10	45-70	54-63	10.000
☹	P90050.TM12X..01CIN	50	18	24	13	5	12,4	M12	45-70-100	64-78-102	10.000
☹	P90060.TM08X..01CIN	60	20	26	13	5	12,4	M08	45-70	58-66	10.000
☹	P90060.TM10X..01CIN	60	20	26	13	5	12,4	M10	45-70	68-80	10.000
☹	P90060.TM12X..01CIN	60	20	26	13	5	12,4	M12	45-70-100	78-96-120	10.000

Enter the stud length in the two . . of the code number. It's possible to have different lengths, by customers requests. Minimum 100 pieces.

P905 CIN Version - Mounting foot with stud type A - R15 in stainless steel

	Art.	D	H	H1	E	s	R	d1	Q	g	F1 (N)
☹	P90560.TM12X..01CIN	60	20	26	17	6,5	15	M12	50-70-90	pag.30	13.000
☹	P90560.TM14X..01CIN	60	20	26	17	6,5	15	M14	50-70-90-110-130	pag.30	13.000
☹	P90560.TM16X..01CIN	60	20	26	17	6,5	15	M16	50-70-90-110-130-150-170	pag.30	13.000

Enter the stud length in the two . . of the code number. It's possible to have different lengths, by customers requests. Minimum 100 pieces.

Material:

Reinforced polyamide.
Oils and greases resistant.

Surface:

Satin.

Colour:

Black (RAL 9011).

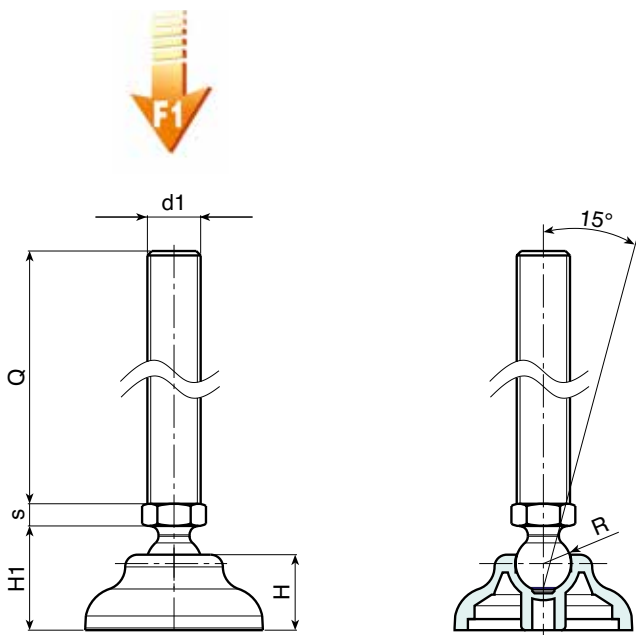
Inserts:

Version P900 - P905 - P906 - P907: Zinc plated steel articulated, threaded stud.

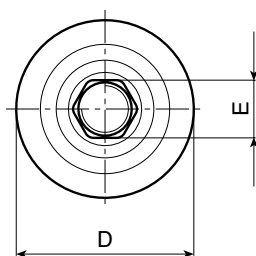
Version P900 CIN - P905 CIN: Threaded and articulated stainless steel stud (AISI 303).

SPECIAL REQUESTS:

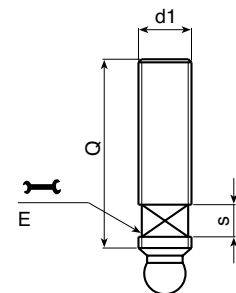
- It is possible to supply the inserts with different lengths, on request and for quantities.
- Upon request and for special quantities the foot can be supplied in Orange (RAL 2004).



Art. P900 CIN



Stud type A



Stud type B

Presumable presence in the stock in %

(🏠) 90% (😊) 40% (😞) 5% (😡)

BOTECO® - © All right reserved - www.boteco.it
Any unauthorized reproduction is strictly forbidden



BOTECO

P901

P908 - P909 - P910
P901CIN - P908CIN

MOUNTING FOOT WITH STEEL AND STAINLESS STEEL STUD AND NON-SLIP TPV BASE

P901 Version - Mounting foot with stud type A - R12,5 and non-slip TPV base

Art.	D	D2	H	H1	H3	E	s	R	d1	Q	g	F1 (N)
P90140.TM08X..01	40	34	17	23	26	13	5	12,5	M08	45-70	44-51	10.000
P90140.TM10X..01	40	34	17	23	26	13	5	12,5	M10	45-70-100	52-64-79	10.000
P90140.TM12X..01	40	34	17	23	26	13	5	12,5	M12	45-70-100	62-79-101	10.000
P90150.TM08X..01	50	43	18	24	27	13	5	12,5	M08	45-70	66-74	10.000
P90150.TM10X..01	50	43	18	24	27	13	5	12,5	M10	45-70-100	76-88-103	10.000
P90150.TM12X..01	50	43	18	24	27	13	5	12,5	M12	45-70-100	86-104-125	10.000
P90160.TM08X..01	60	53	20	26	29	13	5	12,5	M08	45-70	52-59	10.000
P90160.TM10X..01	60	53	20	26	29	13	5	12,5	M10	45-70-100	60-69-83	10.000
P90160.TM12X..01	60	53	20	26	29	13	5	12,5	M12	45-70-100	70-84-105	10.000

Enter the stud length in the two . . of the code number.

P908 Version - Mounting foot with stud type A - R15 and non-slip TPV base

Art.	D	D2	H	H1	H3	E	s	R	d1	Q	g	F1 (N)
P90860.TM12X..01	60	53	20	26	29	16	6,5	15	M12	50-70-90-110	pag.30	13.000
P90860.TM14X..01	60	53	20	26	29	16	6,5	15	M14	50-70-90-110-130-150	pag.29	13.000
P90860.TM16X..01	60	53	20	26	29	16	6,5	15	M16	50-70-90-110-130-150-170-190	pag.29	13.000

Enter the stud length in the two . . of the code number. It's possible to have different lengths, by customers requests. Minimum 100 pieces.

P909 Version - Mounting foot with stud type B - R12,5 and non-slip TPV base

Art.	D	D2	H	H1	H3	E	s	R	d1	Q	g	F1 (N)
P90960.TM16X..01	60	53	20	26	29	13	7	12,5	M16	50-70-90-110-130-150-170	pag.30	13.000

Enter the stud length in the two . . of the code number. It's possible to have different lengths, by customers requests. Minimum 100 pieces.

P910 Version - Mounting foot with stud type B - R15 and non-slip TPV base

Art.	D	D2	H	H1	H3	E	s	R	d1	Q	g	F1 (N)
P91060.TM20X..01	60	53	20	26	29	16	7	15	M20	50-70-90-110-130-150-170-190-210	pag.30	13.000

Enter the stud length in the two . . of the code number. It's possible to have different lengths, by customers requests. Minimum 100 pieces.

P901 CIN Version - Mounting foot with stud type A - R12,5 in stainless steel - with non-slip TPV base

INOX

Art.	D	D2	H	H1	H3	E	s	R	d1	Q	g	F1 (N)
P90140.TM08X..01CIN	40	34	17	23	26	13	5	12,5	M08	45-70	40-47	10.000
P90140.TM10X..01CIN	40	34	17	23	26	13	5	12,5	M10	45-70	48-60	10.000
P90140.TM12X..01CIN	40	34	17	23	26	13	5	12,5	M12	45-70-100	58-75-97	10.000
P90150.TM08X..01CIN	50	43	18	24	27	13	5	12,5	M08	45-70	46-53	10.000
P90150.TM10X..01CIN	50	43	18	24	27	13	5	12,5	M10	45-70	54-63	10.000
P90150.TM12X..01CIN	50	43	18	24	27	13	5	12,5	M12	45-70-100	64-78-99	10.000
P90160.TM08X..01CIN	60	53	20	26	29	13	5	12,5	M08	45-70	58-66	10.000
P90160.TM10X..01CIN	60	53	20	26	29	13	5	12,5	M10	45-70	68-80	10.000
P90160.TM12X..01CIN	60	53	20	26	29	13	5	12,5	M12	45-70-100	78-96-117	10.000

Enter the stud length in the two . . of the code number. It's possible to have different lengths, by customers requests. Minimum 100 pieces.

P908 CIN Version - Mounting foot with stud type A - R15 in stainless steel - with non-slip TPV base

INOX

Art.	D	D2	H	H1	H3	E	s	R	d1	Q	g	F1 (N)
P90860.TM12X..01CIN	60	53	20	26	29	17	6,5	15	M12	50-70-90	pag.30	13.000
P90860.TM14X..01CIN	60	53	20	26	29	17	6,5	15	M14	50-70-90-110-130	pag.30	13.000
P90860.TM16X..01CIN	60	53	20	26	29	17	6,5	15	M16	50-70-90-110-130-150-170	pag.30	13.000

Enter the stud length in the two . . of the code number. It's possible to have different lengths, by customers requests. Minimum 100 pieces.

P901



Material:

Reinforced polyamide.
Oils and greases resistant.

Surface:

Satin.

Colour:

Black (RAL 9011).

Inserts:

Version P901 - P908 - P909 - P910: Zinc plated steel articulated, threaded stud.

Version P901 CIN - P908 CIN: Threaded and articulated stainless steel stud (AISI 303).

Non-Slip Base:

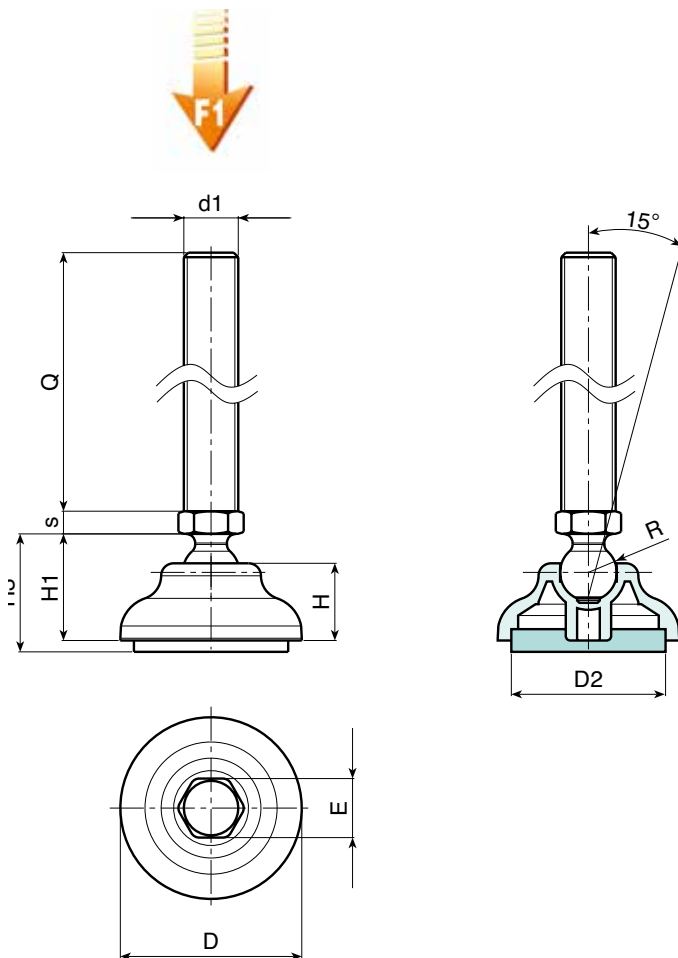
Thermoplastic vulcanized rubber TPV 75 Shore (only black RAL 9011).

SPECIAL REQUESTS:

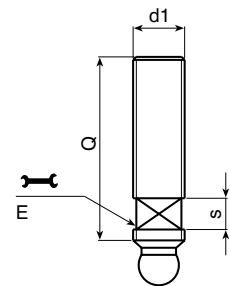
- It is possible to supply the inserts with different lengths, on request and for quantities.
- Upon request and for special quantities the foot can be supplied in Orange (RAL 2004).



Art. P900 CIN



Stud type A



Stud type B

Presumable presence in the stock in %

(☺) 90% (☹) 40% (⊖) 5% (⊕)

BOTECO® - © All right reserved - www.boteco.it
Any unauthorized reproduction is strictly forbidden



BOTECO

P902

P911 - P912 - P913
P914

FLOOR-ANCHOR MOUNTING FOOT

P911 Version - Mounting foot with ground fixing with stud type A - R12,5

Art.	D	H	I	H1	h	A	E	s	d2	R	d1	Q	g	F1 (N)
P911080.TM10X..01	80	20	54	25,5	16	20	13	5	9	12,5	M10	45-70-100	74-86-123	10.000
P911080.TM12X..01	80	20	54	25,5	16	20	13	5	9	12,5	M12	45-70-100	84-101-145	10.000

Enter the stud length in the two . . of the code number. It's possible to have different lengths, by customers requests. Minimum 100 pieces.

P902 Version - Mounting foot with ground fixing with stud type A - R15

Art.	D	H	I	H1	h	A	E	s	d2	R	d1	Q	g	F1 (N)
P902080.TM12X..01	80	20	54	25,5	16	20	16	6,5	9	15	M12	50-70-90-110	pag.29	13.000
P902080.TM14X..01	80	20	54	25,5	16	20	16	6,5	9	15	M14	50-70-90-110-130-150	pag.29	13.000
P902080.TM16X..01	80	20	54	25,5	16	20	16	6,5	9	15	M16	50-70-90-110-130-150-170-190	pag.29	13.000
P902105.TM12X..01	105	22	74	28	18,5	21	16	6,5	11	15	M12	50-70-90-110	pag.29	15.000
P902105.TM14X..01	105	22	74	28	18,5	21	16	6,5	11	15	M14	50-70-90-110-130-150	pag.29	15.000
P902105.TM16X..01	105	22	74	28	18,5	21	16	6,5	11	15	M16	50-70-90-110-130-150-170-190	pag.29	15.000
P902130.TM12X..01	130	24	99	30	20	21	16	6,5	13	15	M12	50-70-90-110	pag.29	17.000
P902130.TM14X..01	130	24	99	30	20	21	16	6,5	13	15	M14	50-70-90-110-130-150	pag.29	17.000
P902130.TM16X..01	130	24	99	30	20	21	16	6,5	13	15	M16	50-70-90-110-130-150-170-190	pag.29	17.000

Enter the stud length in the two . . of the code number. It's possible to have different lengths, by customers requests. Minimum 100 pieces.

P912 Version - Mounting foot with ground fixing with stud type B - R12,5

Art.	D	H	I	H1	h	A	E	s	d2	R	d1	Q	g	F1 (N)
P912080.TM16X..01	80	20	54	25,5	16	20	13	7	9	12,5	M16	50-70-90-110-130-150-170	pag.30	10.000

Enter the stud length in the two . . of the code number. It's possible to have different lengths, by customers requests. Minimum 100 pieces.

P913 Version - Mounting foot with ground fixing with stud type B - R15

Art.	D	H	I	H1	h	A	E	s	d2	R	d1	Q	g	F1 (N)
P913080.TM20X..01	80	20	54	25,5	16	20	16	7	9	15	M20	50-70-90-110-130-150-170-190-210	pag.30	17.000
P913105.TM20X..01	105	22	74	28	18,5	21	16	7	11	15	M20	50-70-90-110-130-150-170-190-210	pag.30	17.000
P913130.TM20X..01	130	24	99	30	20	21	16	7	13	15	M20	50-70-90-110-130-150-170-190-210	pag.30	17.000
P913080.TM24X..01	80	20	54	25,5	16	20	19	7	9	15	M24	70-90-110-130-150-170-190-210	pag.30	17.000
P913105.TM24X..01	105	22	74	28	18,5	21	19	7	11	15	M24	70-90-110-130-150-170-190-210	pag.30	17.000
P913130.TM24X..01	130	24	99	30	20	21	19	7	13	15	M24	70-90-110-130-150-170-190-210	pag.30	17.000

Enter the stud length in the two . . of the code number. It's possible to have different lengths, by customers requests. Minimum 100 pieces.

P914 Version - Mounting foot with ground fixing with stud type B - R24

Art.	D	H	I	H1	h	A	E	s	d2	R	d1	Q	g	F1 (N)
P914080.TM24X..01	80	20	54	25,5	16	20	19	10	9	24	M24	70-90-110-130-150-170	pag.30	25.000
P914080.TM30X..01	80	20	54	25,5	16	20	27	12	9	24	M30	90-110-130-150-170-190-210	pag.30	25.000
P914105.TM24X..01	105	22	74	28	18,5	21	19	10	11	24	M24	70-90-110-130-150-170	pag.30	25.000
P914105.TM30X..01	105	22	74	28	18,5	21	27	12	11	24	M30	90-110-130-150-170-190-210	pag.30	25.000
P914130.TM24X..01	130	24	99	30	20	21	19	10	13	24	M24	70-90-110-130-150-170	pag.30	25.000
P914130.TM30X..01	130	24	99	30	20	21	27	12	13	24	M30	90-110-130-150-170-190-210	pag.30	25.000

Enter the stud length in the two . . of the code number. It's possible to have different lengths, by customers requests. Minimum 100 pieces.

Material:

Reinforced polyamide.
Oils and greases resistant.

Surface:

Satin.

Colour:

Black (RAL 9011).

Insert:

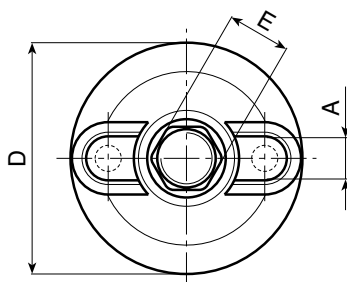
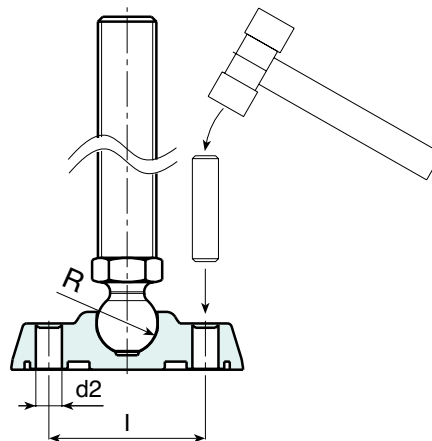
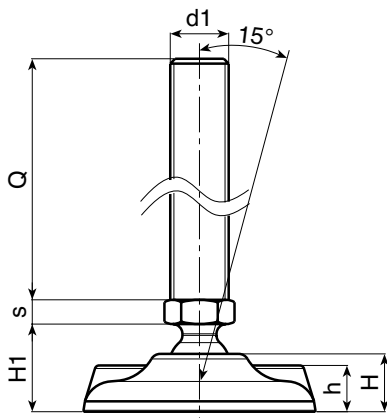
Zinc plated steel articulated, threaded stud.

Anchoring to the Floor:

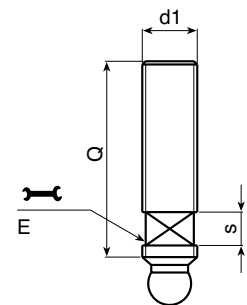
The holes in the foot used for anchoring the mount to the floor, are supplied closed. To open them simply break the plastic membrane (see drawing).

SPECIAL REQUESTS:

- It is possible to supply the inserts with different lengths, on request and for quantities.
- Upon request and for special quantities the foot can be supplied in Orange (RAL 2004).



Stud type A



Stud type B

Presumable presence in the stock in %

(☺) 90% (☹) 40% (⊖) 5%

BOTECO® - © All right reserved - www.boteco.it
Any unauthorized reproduction is strictly forbidden



BOTECO

P902CIN

P911CIN - P912CIN
P913CIN P914CIN

MOUNTING FOOT WITH GROUND FIXING AND STAINLESS STEEL STUD



P911 CIN Version - Mounting foot with ground fixing with stud type A - R12,5 in stainless steel

Art.	D	H	I	H1	h	A	E	s	d2	R	d1	Q	g	F1 (N)
⊕ P911080.TM10X..01CIN	80	20	54	25,5	16	20	○13	5	9	12,5	M10	45-70	74-86	10.000
⊕ P911080.TM12X..01CIN	80	20	54	25,5	16	20	○13	5	9	12,5	M12	45-70-100	84-101-145	10.000

Enter the stud length in the two . . of the code number. It's possible to have different lengths, by customers requests. Minimum 100 pieces.

P902 CIN Version - Mounting foot with ground fixing with stud type A - R15 in stainless steel

Art.	D	H	I	H1	h	A	E	s	d2	R	d1	Q	g	F1 (N)
P902080.TM12X..01CIN	80	20	54	25,5	16	20	○17	6,5	9	15	M12	50-70-90	pag.29	13.000
P902080.TM14X..01CIN	80	20	54	25,5	16	20	○17	6,5	9	15	M14	50-70-90-110-130	pag.29	13.000
P902080.TM16X..01CIN	80	20	54	25,5	16	20	○17	6,5	9	15	M16	50-70-90-110-130-150-170	pag.29	13.000
P902105.TM12X..01CIN	105	22	74	28	18,5	21	○17	6,5	11	15	M12	50-70-90	pag.29	15.000
P902105.TM14X..01CIN	105	22	74	28	18,5	21	○17	6,5	11	15	M14	50-70-90-110-130	pag.29	15.000
P902105.TM16X..01CIN	105	22	74	28	18,5	21	○17	6,5	11	15	M16	50-70-90-110-130-150-170	pag.29	15.000
P902130.TM12X..01CIN	130	24	99	30	20	21	○17	6,5	13	15	M12	50-70-90	pag.29	17.000
P902130.TM14X..01CIN	130	24	99	30	20	21	○17	6,5	13	15	M14	50-70-90-110-130	pag.29	17.000
P902130.TM16X..01CIN	130	24	99	30	20	21	○17	6,5	13	15	M16	50-70-90-110-130-150-170	pag.29	17.000

Enter the stud length in the two . . of the code number. It's possible to have different lengths, by customers requests. Minimum 100 pieces.

P912 CIN Version - Mounting foot with ground fixing with stud type B - R12,5 in stainless steel

Art.	D	H	I	H1	h	A	E	s	d2	R	d1	Q	g	F1 (N)
⊕ P912080.TM16X..01CIN	80	20	54	25,5	16	20	⊖13	7	9	12,5	M16	50-70-90-110-130-150-170	pag.30	10.000

Enter the stud length in the two . . of the code number. It's possible to have different lengths, by customers requests. Minimum 100 pieces.

P913 CIN Version - Mounting foot with ground fixing with stud type B - R15 in stainless steel

Art.	D	H	I	H1	h	A	E	s	d2	R	d1	Q	g	F1 (N)
P913080.TM20X..01CIN	80	20	54	25,5	16	20	⊖16	7	9	15	M20	50-70-90-110-130-150-170-190-210	pag.30	17.000
P913105.TM20X..01CIN	105	22	74	28	18,5	21	⊖16	7	11	15	M20	50-70-90-110-130-150-170-190-210	pag.30	17.000
P913130.TM20X..01CIN	130	24	99	30	20	21	⊖16	7	13	15	M20	50-70-90-110-130-150-170-190-210	pag.30	17.000
P913080.TM24X..01CIN	80	20	54	25,5	16	20	⊖19	7	9	15	M24	70-90-110-130-150-170-190-210	pag.30	17.000
P913105.TM24X..01CIN	105	22	74	28	18,5	21	⊖19	7	11	15	M24	70-90-110-130-150-170-190-210	pag.30	17.000
P913130.TM24X..01CIN	130	24	99	30	20	21	⊖19	7	13	15	M24	70-90-110-130-150-170-190-210	pag.30	17.000

Enter the stud length in the two . . of the code number. It's possible to have different lengths, by customers requests. Minimum 100 pieces.

P914 CIN Version - Mounting foot with ground fixing with stud type B - R24 in stainless steel

Art.	D	H	I	H1	h	A	E	s	d2	R	d1	Q	g	F1 (N)
⊕ P914080.TM24X..01CIN	80	20	54	25,5	16	20	⊖19	10	9	24	M24	70-90-110-130-150	pag.30	25.000
⊕ P914080.TM30X..01CIN	80	20	54	25,5	16	20	⊖27	12	9	24	M30	90-110-130-150-170-190-210	pag.30	25.000
⊕ P914105.TM24X..01CIN	105	22	74	28	18,5	21	⊖19	10	11	24	M24	70-90-110-130-150	pag.30	25.000
⊕ P914105.TM30X..01CIN	105	22	74	28	18,5	21	⊖27	12	11	24	M30	90-110-130-150-170-190-210	pag.30	25.000
⊕ P914130.TM24X..01CIN	130	24	99	30	20	21	⊖21	19	13	24	M24	70-90-110-130-150	pag.30	25.000
⊕ P914130.TM30X..01CIN	130	24	99	30	20	21	⊖27	13	24	M30	90-110-130-150-170-190-210	pag.30	25.000	

Enter the stud length in the two . . of the code number. It's possible to have different lengths, by customers requests. Minimum 100 pieces.

P - MOUNTING FEET

ver. PUK.16-0613



BOTECA

P - 14

Presumable presence in the stock in %

(⊕) 90% (⊙) 40% (⊖) 5% (⊗)

www.boteco.it - © All right reserved - BOTECA®
Any unauthorized reproduction is strictly forbidden

Material:

Reinforced polyamide.
Oils and greases resistant.

Surface:

Satin.

Colour:

Black (RAL 9011).

Insert:

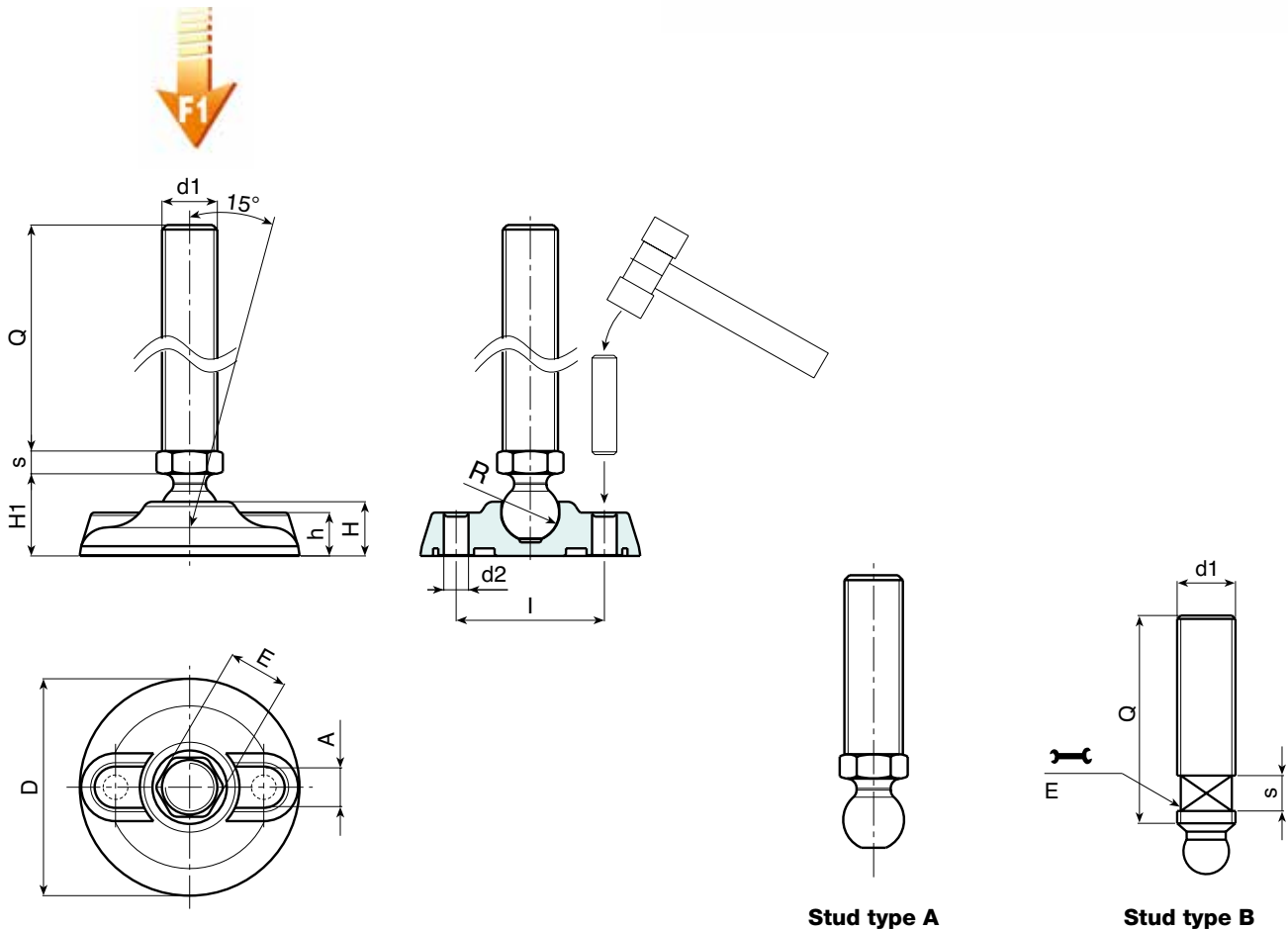
Threaded and articulated stainless steel stud (AISI 303).

Anchoring to the Floor:

The holes in the foot used for anchoring the mount to the floor, are supplied closed. To open them simply break the plastic membrane (see drawing).

SPECIAL REQUESTS:

- It is possible to supply the inserts with different lengths, on request and for quantities.
- Upon request and for special quantities the foot can be supplied in Orange (RAL 2004).



Presumable presence in the stock in %

(☒) 90% (☑) 40% (☒) 5% (☒)

BOTECO® - © All right reserved - www.boteco.it

Any unauthorized reproduction is strictly forbidden



BOTECO

P903

P915 - P916
P917 - P918

FLOOR-ANCHOR MOUNTING FOOT WITH NON-SLIP TPV BASE

P915 Version - Mounting foot with ground fixing with stud type A - R12,5 - and non-slip TPV base

Art.	D	H	I	H1	H3	h	A	E	s	d2	d	R	d1	Q	g	F1 (N)
P915080.TM10X..01	80	20	54	25,5	28,5	16	20	13	5	9	70	12,5	M10	45-70-100	97-109-146	10.000
P915080.TM12X..01	80	20	54	25,5	28,5	16	20	13	5	9	70	12,5	M12	45-70-100	107-124-168	10.000

Enter the stud length in the two . . of the code number.

P903 Version - Mounting foot with ground fixing with stud type A - R15 - and non-slip TPV base

Art.	D	H	I	H1	H3	h	A	E	s	d2	d	R	d1	Q	g	F1 (N)
P903080.TM12X..01	80	20	54	25,5	28,5	16	20	16	6,5	9	70	15	M12	50-70-90-110	pag.29	13.000
P903080.TM14X..01	80	20	54	25,5	28,5	16	20	16	6,5	9	70	15	M14	50-70-90-110-130-150	pag.29	13.000
P903080.TM16X..01	80	20	54	25,5	28,5	16	20	16	6,5	9	70	15	M16	50-70-90-110-130-150-170-190	pag.29	13.000
P903105.TM12X..01	105	22	74	28	32	18,5	21	16	6,5	11	94	15	M12	50-70-90-110	pag.29	15.000
P903105.TM14X..01	105	22	74	28	32	18,5	21	16	6,5	11	94	15	M14	50-70-90-110-130-150	pag.29	15.000
P903105.TM16X..01	105	22	74	28	32	18,5	21	16	6,5	11	94	15	M16	50-70-90-110-130-150-170-190	pag.29	15.000
P903130.TM12X..01	130	24	99	30	35	20	21	16	6,5	13	118	15	M12	50-70-90-110	pag.29	17.000
P903130.TM14X..01	130	24	99	30	35	20	21	16	6,5	13	118	15	M14	50-70-90-110-130-150	pag.29	17.000
P903130.TM16X..01	130	24	99	30	35	20	21	16	6,5	13	118	15	M16	50-70-90-110-130-150-170-190	pag.29	17.000

Enter the stud length in the two . . of the code number. It's possible to have different lengths, by customers requests. Minimum 100 pieces.

P916 Version - Mounting foot with ground fixing with stud type B - R12,5 - and non-slip TPV base

Art.	D	H	I	H1	H3	h	A	E	s	d2	d	R	d1	Q	g	F1 (N)
P916080.TM16X..01	80	20	54	25,5	28,5	16	20	13	7	9	70	12,5	M16	50-70-90-110-130-150-170	pag.30	10.000

Enter the stud length in the two . . of the code number. It's possible to have different lengths, by customers requests. Minimum 100 pieces.

P917 Version - Mounting foot with ground fixing with stud type B - R15 - and non-slip TPV base

Art.	D	H	I	H1	H3	h	A	E	s	d2	d	R	d1	Q	g	F1 (N)
P917080.TM20X..01	80	20	54	25,5	28,5	16	20	16	7	9	70	15	M20	50-70-90-110-130-150-170-190-210	*	17.000
P917105.TM20X..01	105	22	74	28	32	18,5	21	16	7	11	94	15	M20	50-70-90-110-130-150-170-190-210	*	17.000
P917130.TM20X..01	130	24	99	30	35	20	21	16	7	13	118	15	M20	50-70-90-110-130-150-170-190-210	*	17.000
P917080.TM24X..01	80	20	54	25,5	28,5	16	20	19	7	9	70	15	M24	50-70-90-110-130-150-170-190-210	*	17.000
P917105.TM24X..01	105	22	74	28	32	18,5	21	19	7	11	94	15	M24	50-70-90-110-130-150-170-190-210	*	17.000
P917130.TM24X..01	130	24	99	30	35	20	21	19	7	13	118	15	M24	50-70-90-110-130-150-170-190-210	*	17.000

Enter the stud length in the two . . of the code number. It's possible to have different lengths, by customers requests. Minimum 100 pieces.

P918 Version - Mounting foot with ground fixing with stud type B - R24 - and non-slip TPV base

Art.	D	H	I	H1	H3	h	A	E	s	d2	d	R	d1	Q	g	F1 (N)
P918080.TM24X..01	80	20	54	25,5	28,5	16	20	19	10	9	70	24	M24	70-90-110-130-150-170	pag.30	25.000
P918080.TM30X..01	80	20	54	25,5	28,5	16	20	27	12	9	70	24	M30	90-110-130-150-170-190-210	pag.30	25.000
P918105.TM24X..01	105	22	74	28	32	18,5	21	19	10	11	94	24	M24	70-90-110-130-150-170	pag.30	25.000
P918105.TM30X..01	105	22	74	28	32	18,5	21	27	12	11	94	24	M30	90-110-130-150-170-190-210	pag.30	25.000
P918130.TM24X..01	130	24	99	30	35	20	21	19	10	13	118	24	M24	70-90-110-130-150-170	pag.30	25.000
P918130.TM30X..01	130	24	99	30	35	20	21	27	12	13	118	24	M30	90-110-130-150-170-190-210	pag.30	25.000

Enter the stud length in the two . . of the code number. It's possible to have different lengths, by customers requests. Minimum 100 pieces.

P - MOUNTING FEET

ver. PUK.16-0613



BOTECA

P - 16

Presumable presence in the stock in %

(☹) 90% (😊) 40% (☺) 5% (☹)

www.boteco.it - © All right reserved - BOTECA®

Any unauthorized reproduction is strictly forbidden

Material:

Reinforced polyamide.
Oils and greases resistant.

Surface:

Satin.

Colour:

Black (RAL 9011).

Insert:

Zinc plated steel articulated, threaded stud.

Anchoring to the Floor:

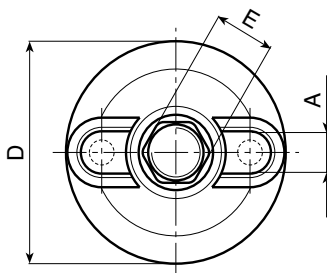
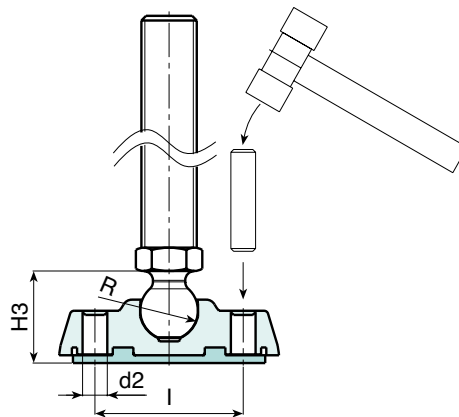
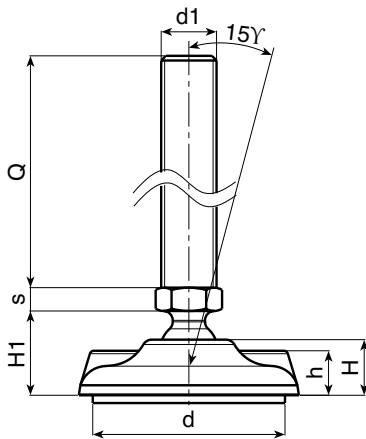
The holes in the foot used for anchoring the mount to the floor, are supplied closed. To open them simply break the plastic membrane (see drawing).

Non-Slip Base:

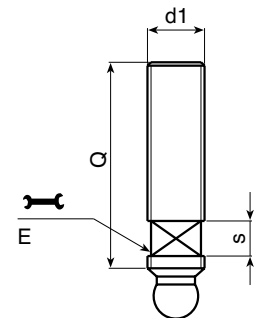
Thermoplastic vulcanized rubber TPV 75 Shore (only black RAL 9011).

SPECIAL REQUESTS:

- It is possible to supply the inserts with different lengths, on request and for quantities.
- Upon request and for special quantities the foot can be supplied in Orange (RAL 2004).



Stud type A



Stud type B

Presumable presence in the stock in %

(☺) 90% (☹) 40% (⊖) 5% (⊕)

BOTECO® - © All right reserved - www.boteco.it
Any unauthorized reproduction is strictly forbidden



BOTECO

P903CIN

P915CIN - P916CIN
P917CIN - P918CIN

MOUNTING FOOT WITH GROUND FIXING AND NON-SLIP NBR BASE

INOX

P915 CIN Version - Mounting foot with ground fixing with stud type A - R12,5 in stainless steel - with non-slip TPV base

Art.	D	H	I	H1	H3	h	A	E	s	d2	d	R	d1	Q	g	F1 (N)
⊕ P915080.TM10X..01CIN	80	20	54	25,5	28,5	16	20	13	5	9	70	12,5	M10	45-70	97-109	10.000
⊕ P915080.TM12X..01CIN	80	20	54	25,5	28,5	16	20	13	5	9	70	12,5	M12	45-70-100	107-124-168	10.000

Enter the stud length in the two . . of the code number. It's possible to have different lengths, by customers requests. Minimum 100 pieces.

P903 CIN Version - Mounting foot with ground fixing with stud type A - R15 in stainless steel - with non-slip TPV base

Art.	D	H	I	H1	H3	h	A	E	s	d2	d	R	d1	Q	g	F1 (N)
P903080.TM12X..01CIN	80	20	54	25,5	28,5	16	20	⊙17	6,5	9	70	15	M12	50-70-90	pag.30	13.000
P903080.TM14X..01CIN	80	20	54	25,5	28,5	16	20	⊙17	6,5	9	70	15	M14	50-70-90-110-130	pag.30	13.000
P903080.TM16X..01CIN	80	20	54	25,5	28,5	16	20	⊙17	6,5	9	70	15	M16	50-70-90-110-130-150-170	pag.30	13.000
P903105.TM12X..01CIN	105	22	74	28	32	18,5	21	⊙17	6,5	11	94	15	M12	50-70-90	pag.30	15.000
P903105.TM14X..01CIN	105	22	74	28	32	18,5	21	⊙17	6,5	11	94	15	M14	50-70-90-110-130	pag.30	15.000
P903105.TM16X..01CIN	105	22	74	28	32	18,5	21	⊙17	6,5	11	94	15	M16	50-70-90-110-130-150-170	pag.30	15.000
P903130.TM12X..01CIN	130	24	99	30	35	20	21	⊙17	6,5	13	118	15	M12	50-70-90	pag.30	17.000
P903130.TM14X..01CIN	130	24	99	30	35	20	21	⊙17	6,5	13	118	15	M14	50-70-90-110-130	pag.30	17.000
P903130.TM16X..01CIN	130	24	99	30	35	20	21	⊙17	6,5	13	118	15	M16	50-70-90-110-130-150-170	pag.30	17.000

Enter the stud length in the two . . of the code number. It's possible to have different lengths, by customers requests. Minimum 100 pieces.

P916 CIN Version - Mounting foot with ground fixing with stud type B - R12,5 in stainless steel - with non-slip TPV base

Art.	D	H	I	H1	H3	h	A	E	s	d2	d	R	d1	Q	g	F1 (N)
⊕ P916080.TM16X..01CIN	80	20	54	25,5	28,5	16	20	13	7	9	70	12,5	M16	50-70-90-110-130-150-170	*	10.000

Enter the stud length in the two . . of the code number. It's possible to have different lengths, by customers requests. Minimum 100 pieces.

* = See table pag. 30

P917 CIN Version - Mounting foot with ground fixing with stud type B - R15 in stainless steel - with non-slip TPV base

Art.	D	H	I	H1	H3	h	A	E	s	d2	d	R	d1	Q	g	F1 (N)
⊕ P917080.TM20X..01CIN	80	20	54	25,5	28,5	16	20	16	7	9	70	15	M20	50-70-90-110-130-150-170-190-210	*	17.000
⊕ P917105.TM20X..01CIN	105	22	74	28	32	18,5	21	16	7	11	94	15	M20	50-70-90-110-130-150-170-190-210	*	17.000
⊕ P917130.TM20X..01CIN	130	24	99	30	35	20	21	16	7	13	118	15	M20	50-70-90-110-130-150-170-190-210	*	17.000
⊕ P917080.TM24X..01CIN	80	20	54	25,5	28,5	16	20	19	7	9	70	15	M24	50-70-90-110-130-150-170-190-210	*	17.000
⊕ P917105.TM24X..01CIN	105	22	74	28	32	18,5	21	19	7	11	94	15	M24	50-70-90-110-130-150-170-190-210	*	17.000
⊕ P917130.TM24X..01CIN	130	24	99	30	35	20	21	19	7	13	118	15	M24	50-70-90-110-130-150-170-190-210	*	17.000

Enter the stud length in the two . . of the code number. It's possible to have different lengths, by customers requests. Minimum 100 pieces.

* = See table pag. 30

P918 CIN Version - Mounting foot with ground fixing with stud type B - R24 in stainless steel - with non-slip TPV base

Art.	D	H	I	H1	H3	h	A	E	s	d2	d	R	d1	Q	g	F1 (N)
⊕ P918080.TM24X..01CIN	80	20	54	25,5	28,5	16	20	19	10	9	70	24	M24	70-90-110-130-150	*	25.000
⊕ P918080.TM30X..01CIN	80	20	54	25,5	28,5	16	20	27	12	9	70	24	M30	90-110-130-150-170-190-210	*	25.000
⊕ P918105.TM24X..01CIN	105	22	74	28	32	18,5	21	19	10	11	94	24	M24	70-90-110-130-150	*	25.000
⊕ P918105.TM30X..01CIN	105	22	74	28	32	18,5	21	27	12	11	94	24	M30	90-110-130-150-170-190-210	*	25.000
⊕ P918130.TM24X..01CIN	130	24	99	30	35	20	21	19	10	13	118	24	M24	70-90-110-130-150	*	25.000
⊕ P918130.TM30X..01CIN	130	24	99	30	35	20	21	27	12	13	118	24	M30	90-110-130-150-170-190-210	*	25.000

Enter the stud length in the two . . of the code number. It's possible to have different lengths, by customers requests. Minimum 100 pieces.

* = See table pag. 30

P - MOUNTING FEET

ver. PUK.16-0613



BOTECA

P - 18

Presumable presence in the stock in %

(☺) 90% (☺) 40% (☹) 5% (⊕)

www.boteco.it - © All right reserved - BOTECA®
Any unauthorized reproduction is strictly forbidden

Material:

Reinforced polyamide.
Oils and greases resistant.

Surface:

Satin.

Colour:

Black (RAL 9011).

Insert:

Threaded and articulated stainless steel stud (AISI 303).

Anchoring to the Floor:

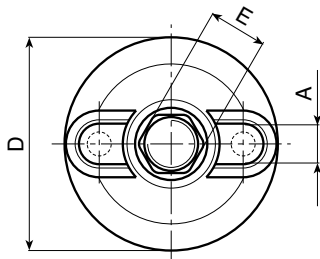
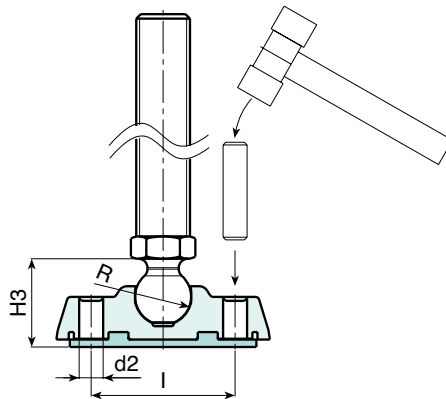
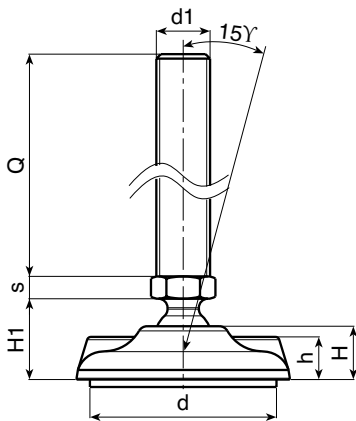
The holes in the foot used for anchoring the mount to the floor, are supplied closed. To open them simply break the plastic membrane (see drawing).

Non-Slip Base:

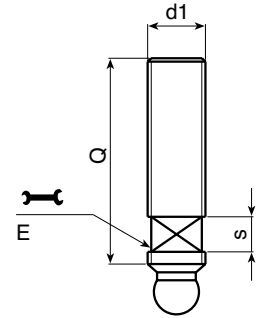
Thermoplastic vulanized rubber TPV 75 Shore
(only black RAL 9011).

SPECIAL REQUESTS:

- It is possible to supply the inserts with different lengths, on request and for quantities.
- Upon request and for special quantities the foot can be supplied in Orange (RAL 2004).



Stud type A



Stud type B

Presumable presence in the stock in %

(☺) 90% (☹) 40% (⊖) 5% (⊕)

BOTECO® - © All right reserved - www.boteco.it
Any unauthorized reproduction is strictly forbidden



BOTECO

P800 Version - Floor-anchor mounting feet with revolving threaded stud with self-locking nut

	Art.	D	H	I	H1	h	A	s	d2	d3	C	d1	Q	g	F1 (N)
⊗	P800080.TM12X..01	80	20	54	28	16	20	8	9	M08	10	M12	50-70-90-110-130-150-170-190	*	13000
⊗	P800080.TM14X..01	80	20	54	28	16	20	8	9	M08	12	M14	50-70-90-110-130-150-170-190	*	13000
⊗	P800080.TM16X..01	80	20	54	28	16	20	8	9	M08	13	M16	50-70-90-110-130-150-170-190	*	13000
⊗	P800080.TM20X..01	80	20	54	28	16	20	8	9	M08	19	M20	50-70-90-110-130-150-170-190	*	13000
⊗	P800105.TM12X..01	105	22	74	30	18,5	21	8	11	M10	10	M12	50-70-90-110-130-150-170-190	*	15000
⊗	P800105.TM14X..01	105	22	74	30	18,5	21	8	11	M10	12	M14	50-70-90-110-130-150-170-190	*	15000
⊗	P800105.TM16X..01	105	22	74	30	18,5	21	8	11	M10	13	M16	50-70-90-110-130-150-170-190	*	15000
⊗	P800105.TM20X..01	105	22	74	30	18,5	21	8	11	M10	17	M20	50-70-90-110-130-150-170-190	*	15000
⊗	P800105.TM24X..01	105	22	74	30	18,5	21	8	11	M10	19	M24	50-70-90-110-130-150-170-190	*	15000
⊗	P800105.TM30X..01	105	22	74	30	18,5	21	8	11	M10	24	M30	50-70-90-110-130-150-170-190	*	15000
⊗	P800130.TM16X..01	130	24	99	32	20	21	8	13	M10	13	M16	50-70-90-110-130-150-170-190	*	17000
⊗	P800130.TM20X..01	130	24	99	32	20	21	8	13	M10	17	M20	50-70-90-110-130-150-170-190	*	17000
⊗	P800130.TM24X..01	130	24	99	32	20	21	8	13	M10	19	M24	50-70-90-110-130-150-170-190	*	17000
⊗	P800130.TM30X..01	130	24	99	32	20	21	8	13	M10	24	M30	50-70-90-110-130-150-170-190	*	17000

Enter the stud length in the two . . of the code number. It's possible to have different lengths, by customers requests. Minimum 100 pieces.

* = See table pag. 29

P801 Version - Floor-anchor mounting feet with revolving threaded stud with circlip fastener

	Art.	D	H	I	H1	h	A	s	d2	d3	C	d1	Q	g	F1 (N)
⊗	P801080.TM12X..01	80	20	54	28	16	20	8	9	8	10	M12	50-70-90-110-130-150-170-190	*	13000
⊗	P801080.TM14X..01	80	20	54	28	16	20	8	9	8	12	M14	50-70-90-110-130-150-170-190	*	13000
⊗	P801080.TM16X..01	80	20	54	28	16	20	8	9	8	13	M16	50-70-90-110-130-150-170-190	*	13000
⊗	P801080.TM20X..01	80	20	54	28	16	20	8	9	8	19	M20	50-70-90-110-130-150-170-190	*	13000
⊗	P801105.TM12X..01	105	22	74	30	18,5	21	8	11	10	10	M12	50-70-90-110-130-150-170-190	*	15000
⊗	P801105.TM14X..01	105	22	74	30	18,5	21	8	11	10	12	M14	50-70-90-110-130-150-170-190	*	15000
⊗	P801105.TM16X..01	105	22	74	30	18,5	21	8	11	10	13	M16	50-70-90-110-130-150-170-190	*	15000
⊗	P801105.TM20X..01	105	22	74	30	18,5	21	8	11	10	17	M20	50-70-90-110-130-150-170-190	*	15000
⊗	P801105.TM24X..01	105	22	74	30	18,5	21	8	11	10	19	M24	50-70-90-110-130-150-170-190	*	15000
⊗	P801105.TM30X..01	105	22	74	30	18,5	21	8	11	10	24	M30	50-70-90-110-130-150-170-190	*	15000
⊗	P801130.TM16X..01	130	24	99	32	20	21	8	13	10	13	M16	50-70-90-110-130-150-170-190	*	17000
⊗	P801130.TM20X..01	130	24	99	32	20	21	8	13	10	17	M20	50-70-90-110-130-150-170-190	*	17000
⊗	P801130.TM24X..01	130	24	99	32	20	21	8	13	10	19	M24	50-70-90-110-130-150-170-190	*	17000
⊗	P801130.TM30X..01	130	24	99	32	20	21	8	13	10	24	M30	50-70-90-110-130-150-170-190	*	17000

Enter the stud length in the two . . of the code number. It's possible to have different lengths, by customers requests. Minimum 100 pieces.

* = See table pag. 29

P800 - P801



Material:

Reinforced polyamide.
Oils and greases resistant.

Surface:

Satin.

Colour:

Black (RAL 9011).

Inserts:

Version P800:

(2) Stainless steel washer AISI 304.

(1) Stainless steel self-locking nut UNI 7474 AISI 304.

Zinc plated steel turned threaded stud, with threaded fastening end.

Version P801:

(2) Stainless steel washer AISI 304.

(1) Black-oxide treated circlip UNI 7435.

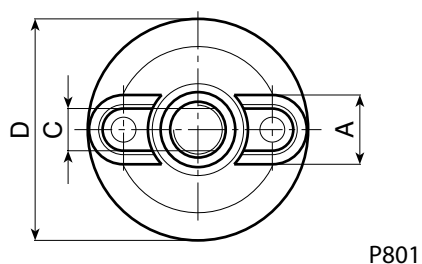
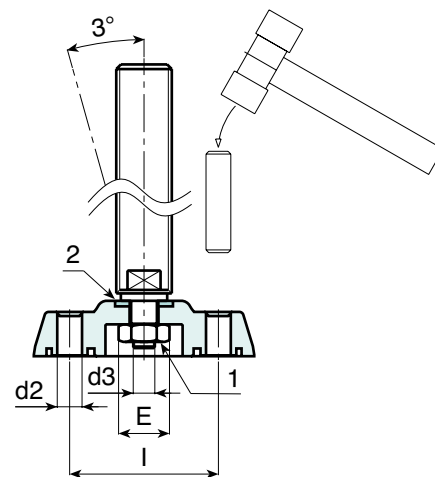
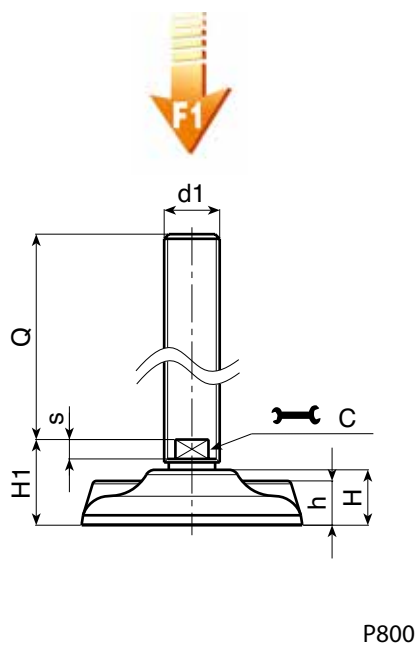
Zinc plated steel turned threaded stud, with end groove for circlip lodging.

Anchoring to the Floor:

The holes in the foot for anchoring the mount to the floor, are supplied closed. To open them simply break the plastic membrane (see drawing).

SPECIAL REQUESTS:

- It is possible to supply the inserts with different lengths, on request and for quantities.
- Upon request and for special quantities the foot can be supplied in Orange (RAL 2004).



Presumable presence in the stock in %

(☺) 90% (☹) 40% (☹) 5% (☹) 5%

BOTECO® - © All right reserved - www.boteco.it

Any unauthorized reproduction is strictly forbidden



BOTECO

PIE. 40-50-60



PLASTIC FOOT BASE WITH BALL JOINT

Material:

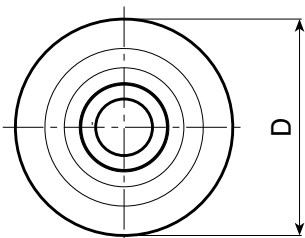
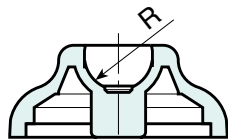
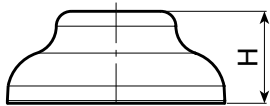
Reinforced polyamide. Oils and greases resistant.

Surface: Satin.

Colour: Black (RAL 9011).

SPECIAL REQUESTS:

- Upon request and for special quantities the foot can be supplied in Orange (RAL 2004).



Art.	D	H	R	g	F1 (N)
PIE.040S12.4	40	17	12,4	12	10000
PIE.050S12.4	50	18	12,4	16	10000
PIE.060S12.4	60	20	12,4	25	10000
PIE.060S15	60	20	15	24	15000
PIE.060S24	60	20	24	24	15000

PIE. 80-105-130



PLASTIC FLOOR-ANCHOR FOOT BASE WITH BALL JOINT

Material:

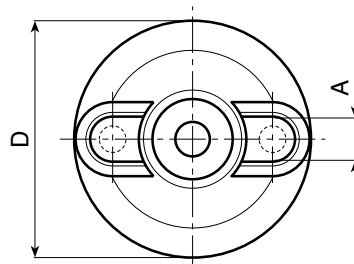
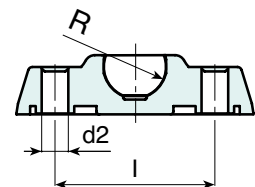
Reinforced polyamide. Oils and greases resistant.

Surface: Satin.

Colour: Black (RAL 9011).

SPECIAL REQUESTS:

- Upon request and for special quantities the foot can be supplied in Orange (RAL 2004).



Art.	D	H	h	l	A	d2	R	g	F1 (N)
PIE.080S12.4	80	20	20	54	16	9 (M08)	12,4	49	10000
PIE.080S15	80	20	20	54	16	9 (M08)	15	45	13000
PIE.080S24	80	20	20	54	16	9 (M08)	24	47,5	25000
PIE.105S15	105	22	21	74	18,5	11 (M10)	15	99	15000
PIE.105S24	105	22	21	74	18,5	11 (M10)	24	97	25000
PIE.130S15	130	24	21	99	20	13 (M12)	15	165	17000
PIE.130S24	130	24	21	99	20	13 (M12)	24	163	25000

UNIVERSAL ANTI-SLIP BASE FOR FOOT BASE

ANT.PIE



TPV

UL94
HB



Material:

Thermoplastic vulcanized rubber TPV 75 Shore.
Oils and greases resistant.

Surface:

Smooth.

Colour:

Black (RAL 9011)

Montaggio:

A pressione, con colla.

SPECIAL REQUESTS:

- None.



	Art.	for FOOT BASE	g
	PIE.ANT40S12.4TPV	PIE.040S12.4	5
	PIE.ANT50S12.4TPV	PIE.050S12.4	6,5
	PIE.ANT60S12.4TPV	PIE.060S12.4 - PIE.060S15	10
	PIE.ANT80S1215TPV	PIE.080S12,4 - PIE.080S15	17
	PIE.ANT80S24TPV	PIE.080S24	25
	PIE.ANT105S15TPV	PIE.105S15	33
	PIE.ANT105S24TPV	PIE.105S24	69
	PIE.ANT130S15TPV	PIE.130S15	74
	PIE.ANT130S24TPV	PIE.130S24	112

Presumable presence in the stock in %

() 90% () 40% () 5% ()

BOTECO® - © All right reserved - www.boteco.it
Any unauthorized reproduction is strictly forbidden



BOTECO

PEP.FZE13-R12,4



C10



THREADED STUD WITH BALL JOINT R12,4 WITH HEXAGON 13 MM. - COLD PRESSED

Material: Steel with resistant class 4.8.

Surface: Blue zinc plated.

Thread: Thread with 6g tolerance.

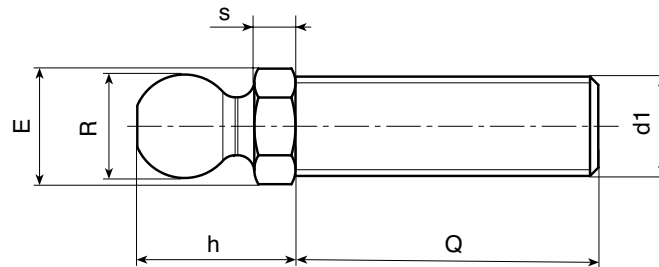
SPECIAL REQUESTS:

- It is possible to supply the inserts with different lengths or different design, on request with a minimum of 30.000 pcs.

FOOT BASE COMPATIBILITY:

These studs are compatible with the following foot bases:

- PIE.040S12,4 • PIE.050S12,4 • PIE.060S12,4 • PIE.080S12,4



Art.	E	s	h	R	d1 6g	Q	⚖
PEP.FZE13X5M08X45	13	5	15	12,4	M08	45	29
PEP.FZE13X5M08X70	13	5	15	12,4	M08	70	36
PEP.FZE13X5M10X45	13	5	15	12,4	M10	45	37
PEP.FZE13X5M10X70	13	5	15	12,4	M10	70	49
PEP.FZE13X5M10X100	13	5	15	12,4	M10	100	85
PEP.FZE13X5M12X45	13	5	15	12,4	M12	45	46
PEP.FZE13X5M12X70	13	5	15	12,4	M12	70	65
PEP.FZE13X5M12X100	13	5	15	12,4	M12	100	85

PEP.VZE13 - PEP.INE13



AVP
AISI303



TURNUED THREADED STUD WITH BALL JOINT R12,4 WITH HEXAGON 13 MM.

Material:

PEP.VZE13: Automatic steel.

PEP.INE13: Stainless steel AISI 303

Surface:

PEP.VZE13: Blue zinc plated.

PEP.INE13: Naturale.

Thread: Thread with 6g tolerance.

SPECIAL REQUESTS: • It is possible to supply the inserts with different lengths or different design, on request and for quantities.

FOOT BASE COMPATIBILITY:

These studs are compatible with the following foot bases: • PIE.040S12,4 • PIE.050S12,4 • PIE.060S12,4 • PIE.080S12,4

Art.	E	s	h	R	d1 6g	Q	Q Max	⚖
PEP.VZE13X5M08X..	13	5	15	12,4	M08	A.R.	110	
PEP.VZE13X5M10X..	13	5	15	12,4	M10	A.R.	110	
PEP.VZE13X5M12X..	13	5	15	12,4	M12	A.R.	110	

Enter the stud length choice in the two .. of the article code. Lengths by request with 100 pieces minimum quantity.

INOX

Art.	E	s	h	R	d1 6g	Q	Q Max	⚖
PEP.INE13X5M08X..	13	5	15	12,4	M08	A.R.	70	
PEP.INE13X5M10X..	13	5	15	12,4	M10	A.R.	70	
PEP.INE13X5M12X..	13	5	15	12,4	M12	A.R.	100	

Enter the stud length choice in the two .. of the article code. Lengths by request with 100 pieces minimum quantity.

P - MOUNTING FEET

ver. PUK.16-0613



BOTECA

P - 24

Presumable presence in the stock in %

(☺) 90% (☹) 40% (⊖) 5% (⊗)

www.boteco.it - © All right reserved - BOTECA®

Any unauthorized reproduction is strictly forbidden

TURNUED THREADED STUO WITH BALL JOINT R15 WITH HEXAGON 16 MM.

PEP.VZE16-R15



Material: Automatic steel.

Surface: Blue zinc plated.

Thread: Thread with 6g tolerance 6g.

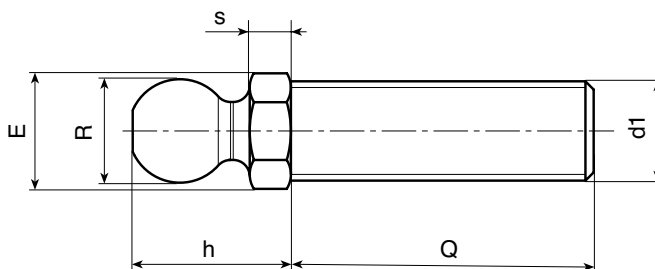
SPECIAL REQUESTS:

- It is possible to supply the inserts with different lengths or different design, on request and for quantities.

FOOT BASE COMPATIBILITY:

These studs are compatible with the following foot bases:

- PIE.060S15 • PIE.080S15 • PIE.105S15 • PIE.130S15



Art.	E	s	h	R	d1 6g	Q	
PEP.VZE16X6M12X..	16	6	17	15	M12	50-70-90-110	63-76-91-107
PEP.VZE16X6M14X..	16	6	17	15	M14	50-70-90-110-130-150	75-95-116-133-150-167
PEP.VZE16X6M16X..	16	6	17	15	M16	50-70-90-110-130-150-170-190	91-117-143-168-194-219-247-270

Enter the stud length choice in the two .. of the article code. Lengths by request with 100 pieces minimum quantity.

STAINLESS STEEL TURNUED THREADED STUO WITH BALL JOINT R15 WITH HEXAGON 16 MM.

PEP.INE17-R15



Material: Stainless Steel AISI 303.

Surface: Natural.

Thread: Thread with 6g tolerance.

SPECIAL REQUESTS:

- It is possible to supply the inserts with different lengths or different design, on request and for quantities.

FOOT BASE COMPATIBILITY:

These studs are compatible with the following foot bases:

- PIE.060S15 • PIE.080S15 • PIE.105S15 • PIE.130S15



Art.	E	s	h	R	d1 6g	Q	
PEP.INE17X6M12X..	17	6	17	15	M12	50-70-90	63-76-91
PEP.INE17X6M14X..	17	6	17	15	M14	50-70-90-110-130	75-95-116-133-150
PEP.INE17X6M16X..	17	6	17	15	M16	50-70-90-110-130-150-170	91-117-143-168-194-219-247

Enter the stud length choice in the two .. of the article code. Lengths by request with 100 pieces minimum quantity.

Presumable presence in the stock in %

(📦) 90% (😊) 40% (😐) 5% (😞)

BOTECO® - © All right reserved - www.boteco.it

Any unauthorized reproduction is strictly forbidden



BOTECO

**P - PIEDINI DI
APPOGGIO**

STEEL TURNED THREADED STUD WITH BALL JOINT AND WITH WRENCH SEAT

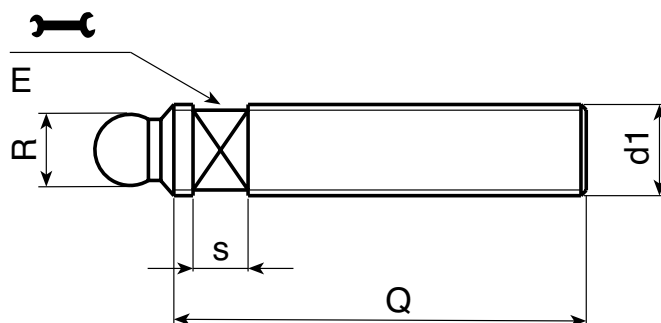
Material: Automatic steel.

Surface: Blue zinc plated.

Thread: Thread with 6g tolerance.

SPECIAL REQUESTS:

- It is possible to supply the inserts with different lengths or different design, on request and for quantities.



Version M16 with ball joint R 12,4

Art.	E	s	R	d1	Q	
PEP.VZTM16X..Z3	13	7	12,4	M12	50-70-90-110-130-150-170	72-98-124-150-176-202-228

Enter the stud length choice in the two .. of the article code. Lengths by request with 100 pieces minimum quantity.

These studs are compatible with the following foot bases: • PIE.040S12,4 • PIE.050S12,4 • PIE.060S12,4 • PIE.080S12,4

Version M20-M24 with ball joint R 15

Art.	E	s	R	d1	Q	
PEP.VZTM20X..Z3	16	7	15	M20	50-70-90-110-130-150-170-190-210	142-174-206-238-270-305-337-370-405
PEP.VZTM24X..Z3	19	7	15	M24	70-90-110-130-150-170-190-210	270-330-390-450-510-570-630-690

Enter the stud length choice in the two .. of the article code. Lengths by request with 100 pieces minimum quantity.

These studs are compatible with the following foot bases: • PIE.060S15 • PIE.080S15 • PIE.105S15 • PIE.130S15

Version M24-M30 with ball joint R 24

Art.	E	s	R	d1	Q	
PEP.VZTM24X..Z5	19	10	24	M24	70-90-110-130-150-170	270-330-390-450-510-570
PEP.VZTM30X..Z5	27	12	24	M30	90-110-130-150-170-190-210	461-550-637-725-813-900-990

Enter the stud length choice in the two .. of the article code. Lengths by request with 100 pieces minimum quantity.

These studs are compatible with the following foot bases: • PIE.080S24 • PIE.105S24 • PIE.130S24

STAINLESS STEEL TURNED THREADED STUD WITH BALL JOINT AND WITH WRENCH SEAT

PEP.INTM



AISI
304



INOX

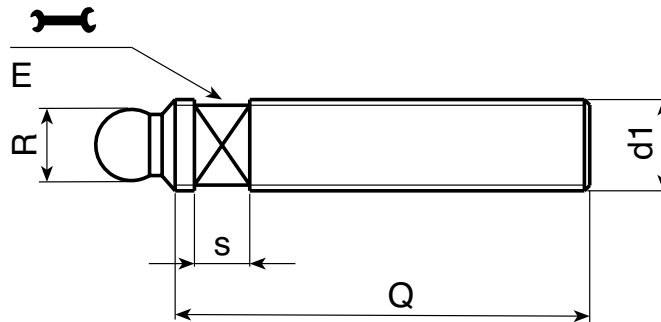
Material: Stainless Steel AISI 303 or AISI 304.

Surface: Natural.

Thread: Thread with 6g tolerance.

SPECIAL REQUESTS:

- It is possible to supply the inserts with different lengths or different design, on request and for quantities.



Version M16 with ball joint R 12,4

Art.	E	s	R	d1	Q	
PEP.INTM16X..Z3	13	7	12,4	M12	50-70-90-110-130-150-170	72-98-124-150-176-202-228

Enter the stud length choice in the two .. of the article code. Lengths by request with 100 pieces minimum quantity.

These studs are compatible with the following foot bases: • PIE.040S12,4 • PIE.050S12,4 • PIE.060S12,4 • PIE.080S12,4

Version M20-M24 with ball joint R 15

Art.	E	s	R	d1	Q	
PEP.INTM20X..Z3	16	7	15	M20	50-70-90-110-130-150-170-190-210	142-174-206-238-270-305-337-370-405
PEP.INTM24X..Z3	19	7	15	M24	70-90-110-130-150-170-190-210	270-330-390-450-510-570-630-690

Enter the stud length choice in the two .. of the article code. Lengths by request with 100 pieces minimum quantity.

These studs are compatible with the following foot bases: • PIE.060S15 • PIE.080S15 • PIE.105S15 • PIE.130S15

Version M24-M30 with ball joint R 24

Art.	E	s	R	d1	Q	
PEP.INTM24X..Z5	19	10	24	M24	70-90-110-130-150	270-330-390-450-510
PEP.INTM30X..Z5	27	12	24	M30	90-110-130-150-170-190-210	461-550-637-725-813-900-990

Enter the stud length choice in the two .. of the article code. Lengths by request with 100 pieces minimum quantity.

These studs are compatible with the following foot bases: • PIE.080S24 • PIE.105S24 • PIE.130S24

Presumable presence in the stock in %

(🏠) 90% (😊) 40% (☹️) 5% (😞)

BOTECO® - © All right reserved - www.boteco.it
Any unauthorized reproduction is strictly forbidden



BOTECO

LONG VERSION TURNED THREADED STUD WITH BALL JOINT AND WITH HEXAGON

Material:

PEP.VZE: Automatic steel.

PEP.INE: Stainless Steel AISI 303.

Surface:

PEP.VZE: Blue zinc plated.

PEP.INE: Natural.

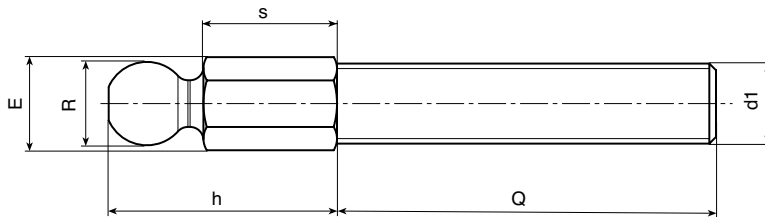
Thread:

Thread with 6g tolerance.



SPECIAL REQUESTS:

- It is possible to supply the inserts with different lengths or different design, on request and for quantities.



Version hexagon 13 with ball joint R 12,4 - Zinc plated steel

🏭	Art.	E	s	h	R	d1 6g	Q	Q <>	⚖️
☹️	PEP.VZE13X20M08X..L	⊙ 13	20	35	12,4	M08	A.R.	60 ÷ 300	
☹️	PEP.VZE13X20M10X..L	⊙ 13	20	35	12,4	M10	A.R.	80 ÷ 300	
☹️	PEP.VZE13X20M12X..L	⊙ 13	20	35	12,4	M12	A.R.	100 ÷ 300	

Enter the stud length choice in the two .. of the article code. Lengths by request with 100 pieces minimum quantity.

These studs are compatible with the following foot bases: • PIE.040S12,4 • PIE.050S12,4 • PIE.060S12,4 • PIE.080S12,4

Version hexagon 13 with ball joint R 12,4 - Stainless Steel AISI 303

🏭	Art.	E	s	h	R	d1 6g	Q	Q <>	⚖️
☹️	PEP.INE13X20M08X..L	⊙ 13	20	35	12,4	M08	A.R.	50 ÷ 300	
☹️	PEP.INE13X20M10X..L	⊙ 13	20	35	12,4	M10	A.R.	70 ÷ 300	
☹️	PEP.INE13X20M12X..L	⊙ 13	20	35	12,4	M12	A.R.	100 ÷ 300	

Enter the stud length choice in the two .. of the article code. Lengths by request with 100 pieces minimum quantity.

These studs are compatible with the following foot bases: • PIE.040S12,4 • PIE.050S12,4 • PIE.060S12,4 • PIE.080S12,4

Version hexagon 17 with ball joint R 15 - Zinc plated steel

🏭	Art.	E	s	h	R	d1 6g	Q	Q <>	⚖️
☹️	PEP.VZE17X20M12X..L	⊙ 16	20	37	15	M12	A.R.	135 ÷ 300	
☹️	PEP.VZE17X20M14X..L	⊙ 16	20	37	15	M14	A.R.	135 ÷ 300	
☹️	PEP.VZE17X20M16X..L	⊙ 16	20	37	15	M16	A.R.	195 ÷ 300	

Enter the stud length choice in the two .. of the article code. Lengths by request with 100 pieces minimum quantity.

These studs are compatible with the following foot bases: • PIE.060S15 • PIE.080S15 • PIE.105S15 • PIE.130S15

Version hexagon 17 with ball joint R 15 - Stainless Steel AISI 303

🏭	Art.	E	s	h	R	d1 6g	Q	Q <>	⚖️
☹️	PEP.INE17X20M12X..L	⊙ 17	20	37	15	M12	A.R.	95 ÷ 300	
☹️	PEP.INE17X20M14X..L	⊙ 17	20	37	15	M14	A.R.	135 ÷ 300	
☹️	PEP.INE17X20M16X..L	⊙ 17	20	37	15	M16	A.R.	175 ÷ 300	

Enter the stud length choice in the two .. of the article code. Lengths by request with 100 pieces minimum quantity.

These studs are compatible with the following foot bases: • PIE.060S15 • PIE.080S15 • PIE.105S15 • PIE.130S15

WEIGHT TABLE

Art.	Q	g
P800080.TM12X..01 / P801080.TM12X..01	50-70-90-110-130-150-170-190	117-130-143-156-169-182-198-214
P800080.TM14X..01 / P801080.TM14X..01	50-70-90-110-130-150-170-190	126-145-163-181-199-217-236-254
P800080.TM16X..01 / P801080.TM16X..01	50-70-90-110-130-150-170-190	139-166-193-220-247-274-301-328
P800080.TM20X..01 / P801080.TM20X..01	50-70-90-110-130-150-170-190	166-206-246-287-327-367-407-447
P800105.TM12X..01 / P801105.TM12X..01	50-70-90-110-130-150-170-190	167-180-193-206-219-232-245-258
P800105.TM14X..01 / P801105.TM14X..01	50-70-90-110-130-150-170-190	176-195-213-231-249-268-287-306
P800105.TM16X..01 / P801105.TM16X..01	50-70-90-110-130-150-170-190	189-216-243-270-297-324-351-378
P800105.TM20X..01 / P801105.TM20X..01	50-70-90-110-130-150-170-190	216-256-296-337-377-417-457-500
P800105.TM24X..01 / P801105.TM24X..01	50-70-90-110-130-150-170-190	253-313-373-433-493-553-613-673
P800105.TM30X..01 / P801105.TM30X..01	50-70-90-110-130-150-170-190	391-486-581-676-771-866-960-1055
P800130.TM16X..01 / P801130.TM16X..01	50-70-90-110-130-150-170-190	256-283-310-337-364-391-418-445
P800130.TM20X..01 / P801130.TM20X..01	50-70-90-110-130-150-170-190	284-324-364-404-445-485-525-565
P800130.TM24X..01 / P801130.TM24X..01	50-70-90-110-130-150-170-190	318-378-438-498-558-618-678-738
P800130.TM30X..01 / P801130.TM30X..01	50-70-90-110-130-150-170-190	456-551-646-741-836-931-1025-1120
P902080.TM12X..01	50-70-90-110	117-130-143-156
P902080.TM14X..01	50-70-90-110-130-150-170-190	126-145-163-181-199-217-236-254
P902080.TM16X..01	50-70-90-110-130-150	139-166-193-220-247-274
P902105.TM12X..01	50-70-90-110	167-180-193-206
P902105.TM14X..01	50-70-90-110-130-150	176-195-213-231-249-268
P902105.TM16X..01	50-70-90-110-130-150-170-190	189-216-243-270-297-324-351-378
P902130.TM12X..01	50-70-90-110	234-247-260-273
P902130.TM14X..01	50-70-90-110-130-150	244-263-281-299-317-335
P902130.TM16X..01	50-70-90-110-130-150-170-190	256-283-310-337-364-391-418-445
P902080.TM12X..01CIN	50-70-90	117-130-143
P902080.TM14X..01CIN	50-70-90-110-130	126-145-163-181-199
P902080.TM16X..01CIN	50-70-90-110-130-150-170	139-166-193-220-247-274-301
P902105.TM12X..01CIN	50-70-90	167-180-193
P902105.TM14X..01CIN	50-70-90-110-130	176-195-213-231-249
P902105.TM16X..01CIN	50-70-90-110-130-150-170	189-216-243-270-297-324-351
P902130.TM12X..01CIN	50-70-90	234-247-260
P902130.TM14X..01CIN	50-70-90-110-130	244-263-281-299-317
P902130.TM16X..01CIN	50-70-90-110-130-150-170	256-283-310-337-364-391-418
P903080.TM12X..01	50-70-90-110	142-155-168-181
P903080.TM14X..01	50-70-90-110-130-150	151-170-188-206-224-242
P903080.TM16X..01	50-70-90-110-130-150-170-190	164-191-218-245-272-299-326-353
P903105.TM12X..01	50-70-90-110	236-249-262-275
P903105.TM14X..01	50-70-90-110-130-150	245-264-282-300-318-337
P903105.TM16X..01	50-70-90-110-130-150-170-190	258-285-312-339-366-393-420-447
P903130.TM12X..01	50-70-90-110	346-359-372-385
P903130.TM14X..01	50-70-90-110-130-150	356-375-393-411-429-447
P903130.TM16X..01	50-70-90-110-130-150-170-190	368-395-422-450-477-504-531-558
P903080.TM12X..01CIN	50-70-90	142-155-168
P903080.TM14X..01CIN	50-70-90-110-130	151-170-188-206-224
P903080.TM16X..01CIN	50-70-90-110-130-150-170	164-191-218-245-272-299-326
P903105.TM12X..01CIN	50-70-90	236-249-262
P903105.TM14X..01CIN	50-70-90-110-130	245-264-282-300-318
P903105.TM16X..01CIN	50-70-90-110-130-150-170	258-285-312-339-366-393-420
P903130.TM12X..01CIN	50-70-90	346-359-372
P903130.TM14X..01CIN	50-70-90-110-130	356-375-393-411-429
P903130.TM16X..01CIN	50-70-90-110-130-150-170	368-395-422-450-477-504-531
P90560.TM12X..01	50-70-90-110	96-109-122-135
P90560.TM14X..01	50-70-90-110-130-150	105-124-142-160-178-197
P90560.TM16X..01	50-70-90-110-130-150-170-190	118-145-172-199-226-253-280-307
P90560.TM12X..01CIN	50-70-90	96-109-122
P90560.TM14X..01CIN	50-70-90-110-130	105-124-142-160-178
P90560.TM16X..01CIN	50-70-90-110-130-150-170	118-145-172-199-226-253-280
P90660.TM16X..01	50-70-90-110-130-150-170	100-126-152-178-204-230-256
P90760.TM20X..01	50-70-90-110-130-150-170-190-210	145-185-225-267-306-346-386-426-466
P90860.TM12X..01	50-70-90-110	109-122-135-148
P90860.TM14X..01	50-70-90-110-130-150	124-148-183-196-209-222
P90860.TM16X..01	50-70-90-110-130-150-170-190	143-175-207-239-271-303-335-377
P90860.TM12X..01CIN	50-70-90	109-122-135
P90860.TM14X..01CIN	50-70-90-110-130	124-148-183-196-209
P90860.TM16X..01CIN	50-70-90-110-130-150-170	143-175-207-239-271-303-335

Presumable presence in the stock in %

(☺) 90% (☺) 40% (☹) 5% (☹)

BOTECO® - © All right reserved - www.boteco.it

Any unauthorized reproduction is strictly forbidden



BOTECO




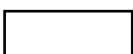








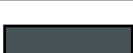
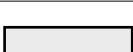


WEIGHT TABLE

Art.	Q	g
P90960.TM16X..01	50-70-90-110-130-150-170	113-139-165-191-217-243-270
P91060.TM20X..01	50-70-90-110-130-150-170-190-210	158-198-238-280-320-360-400-440
P912080.TM16X..01	50-70-90-110-130-150-170	120-146-172-198-224-250-276
P912080.TM16X..01CIN	50-70-90-110-130-150-170	120-146-172-198-224-250-276
P913080.TM20X..01	50-70-90-110-130-150-170-190-210	166-206-246-287-327-367-407-447-487
P913105.TM20X..01	50-70-90-110-130-150-170-190-210	216-256-296-337-377-417-457-500-540
P913130.TM20X..01	50-70-90-110-130-150-170-190-210	284-324-364-404-445-485-525-565-605
P913080.TM24X..01	70-90-110-130-150-170-190-210	264-324-384-444-504-564-624-684
P913105.TM24X..01	70-90-110-130-150-170-190-210	313-373-433-493-553-613-673-735
P913130.TM24X..01	70-90-110-130-150-170-190-210	378-438-498-558-618-678-738-796
P913080.TM20X..01CIN	50-70-90-110-130-150-170-190-210	166-206-246-287-327-367-407-447-487
P913105.TM20X..01CIN	50-70-90-110-130-150-170-190-210	216-256-296-337-377-417-457-500-540
P913130.TM20X..01CIN	50-70-90-110-130-150-170-190-210	284-324-364-404-445-485-525-565-605
P913080.TM24X..01CIN	70-90-110-130-150-170-190-210	264-324-384-444-504-564-624-684
P913105.TM24X..01CIN	70-90-110-130-150-170-190-210	313-373-433-493-553-613-673-735
P913130.TM24X..01CIN	70-90-110-130-150-170-190-210	378-438-498-558-618-678-738-796
P914080.TM24X..01	70-90-110-130-150-170	264-324-384-444-504-564
P914080.TM30X..01	90-110-130-150-170-190-210	532-627-722-817-912-1007-1100
P914105.TM24X..01	70-90-110-130-150-170	313-373-433-493-553-613
P914105.TM30X..01	90-110-130-150-170-190-210	581-676-771-866-960-1055-1150
P914130.TM24X..01	70-90-110-130-150-170	378-438-498-558-618-678
P914130.TM30X..01	90-110-130-150-170-190-210	646-741-836-931-1025-1120-1220
P914080.TM24X..01CIN	70-90-110-130-150	264-324-384-444-504
P914080.TM30X..01CIN	90-110-130-150-170-190-210	532-627-722-817-912-1007-1100
P914105.TM24X..01CIN	70-90-110-130-150	313-373-433-493-553
P914105.TM30X..01CIN	90-110-130-150-170-190-210	581-676-771-866-960-1055-1150
P914130.TM24X..01CIN	70-90-110-130-150	378-438-498-558-618
P914130.TM30X..01CIN	90-110-130-150-170-190-210	646-741-836-931-1025-1120-1220
P916080.TM16X..01	50-70-90-110-130-150-170	145-171-194-217-240-263-286
P916080.TM16X..01CIN	50-70-90-110-130-150-170	145-171-194-217-240-263-286
P917080.TM20X..01	50-70-90-110-130-150-170-190-210	191-231-271-311-351-391-431-470-510
P917105.TM20X..01	50-70-90-110-130-150-170-190-210	285-325-365-405-445-485-525-565-605
P917130.TM20X..01	50-70-90-110-130-150-170-190-210	396-436-476-516-556-596-636-675-715
P917080.TM24X..01	70-90-110-130-150-170-190-210	349-409-469-529-589-650-710-770
P917105.TM24X..01	70-90-110-130-150-170-190-210	442-502-562-622-682-742-800-860
P917130.TM24X..01	70-90-110-130-150-170-190-210	550-610-670-730-790-850-910-970
P917080.TM20X..01CIN	50-70-90-110-130-150-170-190-210	191-231-271-311-351-391-431-470-510
P917105.TM20X..01CIN	50-70-90-110-130-150-170-190-210	285-325-365-405-445-485-525-565-605
P917130.TM20X..01CIN	50-70-90-110-130-150-170-190-210	396-436-476-516-556-596-636-675-715
P917080.TM24X..01CIN	70-90-110-130-150-170-190-210	349-409-469-529-589-650-710-770
P917105.TM24X..01CIN	70-90-110-130-150-170-190-210	442-502-562-622-682-742-800-860
P917130.TM24X..01CIN	70-90-110-130-150-170-190-210	550-610-670-730-790-850-910-970
P918080.TM24X..01	70-90-110-130-150-170	349-409-469-529-589-650
P918080.TM30X..01	90-110-130-150-170-190-210	557-652-747-842-935-1030-1125
P918105.TM24X..01	70-90-110-130-150-170	442-502-562-622-682-742
P918105.TM30X..01	90-110-130-150-170-190-210	650-745-840-934-1030-1125-1220
P918130.TM24X..01	70-90-110-130-150-170	550-610-670-730-790-850
P918130.TM30X..01	90-110-130-150-170-190-210	758-853-948-1043-1140-1235-1330
P918080.TM24X..01CIN	70-90-110-130-150	349-409-469-529-589
P918080.TM30X..01CIN	90-110-130-150-170-190-210	557-652-747-842-935-1030-1125
P918105.TM24X..01CIN	70-90-110-130-150	442-502-562-622-682
P918105.TM30X..01CIN	90-110-130-150-170-190-210	650-745-840-934-1030-1125-1220
P918130.TM24X..01CIN	70-90-110-130-150	550-610-670-730-790
P918130.TM30X..01CIN	90-110-130-150-170-190-210	758-853-948-1043-1140-1235-1330










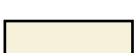


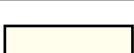



COLOUR CHART

RAL COLOURS CODING

Colour		RAL	Cod.
Black		9011	01
Orange		2004	02
Orange		2011	03
White		9010	04
Blue		5002	05
Blue		5005	06
Blue		5015	07
Blue		5018	19
Blue		5019	21
Blue		5010	22
Yellow		1007	09
Yellow		1021	10
Grey		7024	12
Grey		7035	13
Red		3000	16
Green		6024	17

OTHER COLOURS

Colour		Ref.	Cod.
White		-	52
Blue		-	53
Blue		Pant. 645 U	54
Blue		Pant. 300	55
Grey		-	57
Grey		-	59
Grey		NCS 7500	60
Red		-	64
Red		-	65
Natural		-	66
Green		-	70
Brown		-	71
Cream		-	72
Violet		-	73





BOTECA Srl
www.boteco.it

36010 ZANE' (VI) - ITALY

Via L. Pettinà 16 (side street of Via Cuso)

Switchboard Tel.:+39-0445-316411 - Fax:+39-0445-316400

Sales Fax:+39-0445-316401 mail: commerciale@boteco.it

Administration Fax:+39-0445-316402 mail: amministrazione@boteco.it

Thechnical Fax:+39-0445-316404 mail: tecnico@boteco.it

Certified Mail Box: boteco@pec.botecopec.it



AUTHORISED RESELLER



ver. PUK.16-0613