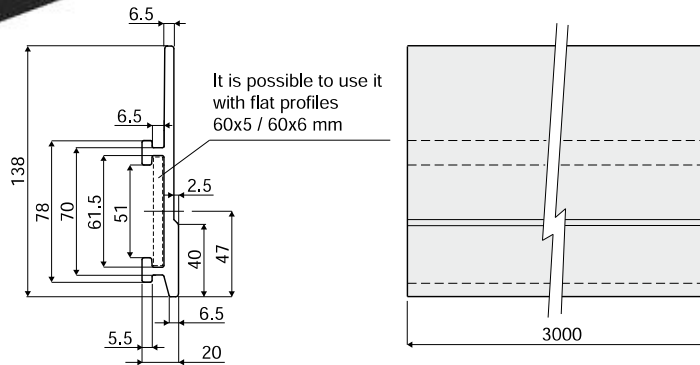


Product guides and accessories

Part. 426

Profile
(for the product side guide)



Code	Colour	L
426 / 84994	Black	3 Mt.
426 / 84995	Black	6 Mt.
426 / 84996	Blue (Ral 5005)	3 Mt.
426 / 84997	Blue (Ral 5005)	6 Mt.

MATERIALS: Profile in HMWPE.

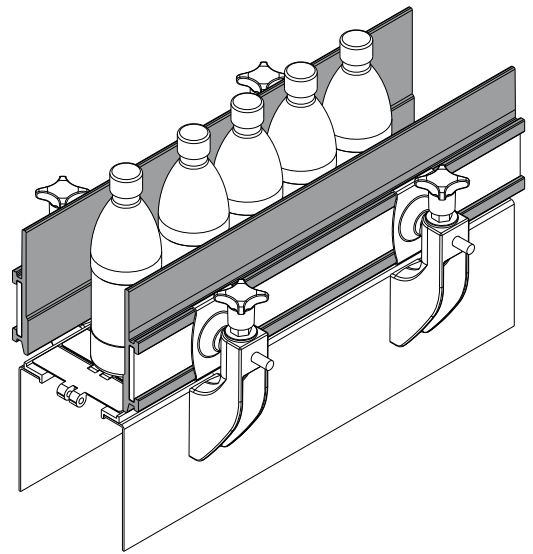
FEATURES: Supplied in lengths of 3 or 6 Mt. To be assembled with clamps Part. 427, 434.

BOX QUANTITY: 2 lengths of 6 Mt. (total 12 Mt.), or 2 lengths of 3 Mt. (total 6 Mt.).

ON REQUEST:

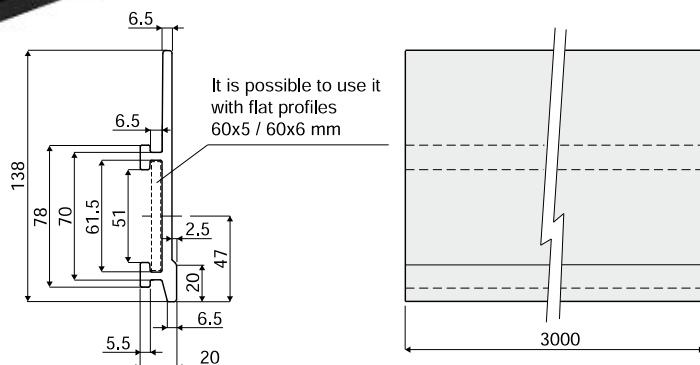
- Profiles: In different colours and sizes.
- Box quantity: According to your request.

Example of application



Part. 425

Profile
(for the product side guide)



Code	Colour	L
425 / 84998	Black	3 Mt.
425 / 84999	Black	6 Mt.
425 / 85000	Blue RAL 5005	3 Mt.
425 / 85001	Blue RAL 5005	6 Mt.

MATERIALS: Profile in HMWPE.

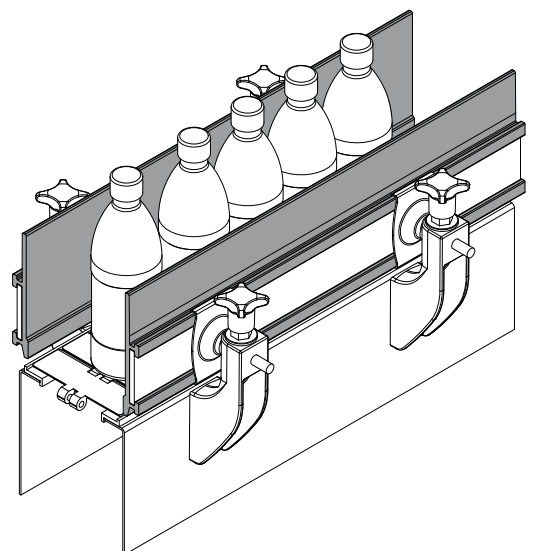
FEATURES: Supplied in lengths of 3 or 6 Mt. To be assembled with clamps Part. 427, 434.

BOX QUANTITY: 2 lengths of 6 Mt. (total 12 Mt.), or 2 lengths of 3 Mt. (total 6 Mt.).

ON REQUEST:

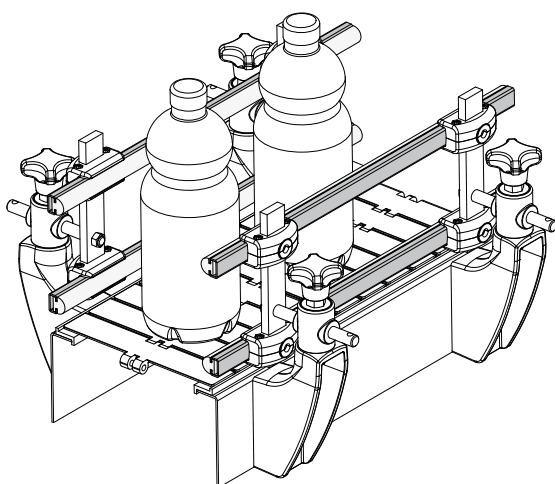
- Profiles: In different colours and sizes.
- Box quantity: According to your request.

Example of application



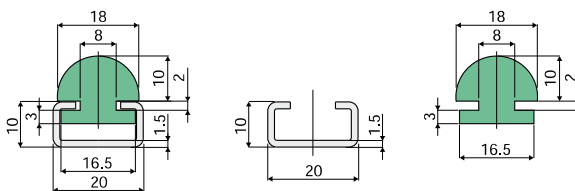
Product guides and accessories

Example of application



Guide rail (round) (with metal profile)

Part. **373**



With profile and guide

Only profile

Only guide



Length	With profile and guide	
	Metal profile in zinc plated steel Code	Metal profile in stainless steel AISI 304 Code
3 Mt.	373 / 83732	373 / 83733
6 Mt.	373 / 83734	373 / 83735

Length	Only profile	
	Metal profile in zinc plated steel Code	Metal profile in stainless steel AISI 304 Code
3 Mt.	373 / 83879	373 / 84303

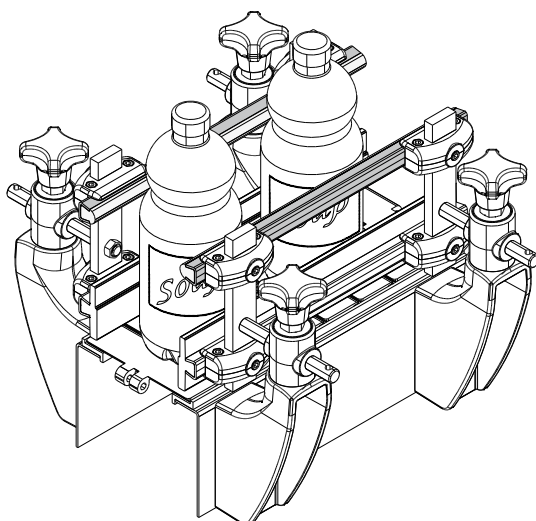
Length	Only guide Code
	3 Mt.

MATERIALS: Extruded HMWPE green colour, metal profile in stainless steel AISI 304 or zinc plated.

BOX QUANTITY:

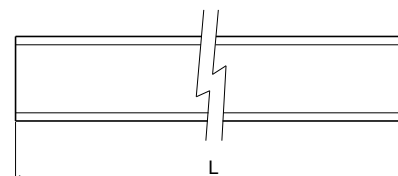
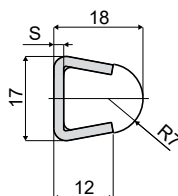
- 3 Mt. lengths version: This item is sold in Mt. - Min. 6 Mt. (2 lengths);
- 6 Mt. lengths version: This item is sold in Mt. - Min. 12 Mt. (2 lengths).

Example of application



Guide rail (round) (with metal profile)

Part. **354**



Code	Colour	S	L
354 / 84198	polyethylene natural	1,5	6000
354 / 84199	polyethylene natural	1,5	3000
354 / 83442	polyethylene natural	2	6000
354 / 83626	polyethylene natural	2	3000
354 / 85484	blue RAL 5005	1,5	6000
354 / 86726	blue RAL 5005	1,5	3000
354 / 85488	blue RAL 5005	2	6000
354 / 85486	blue RAL 5005	2	3000

MATERIALS: Plastic profile in polyethylene natural or blue colour; metal profile in stainless steel AISI 304.

FEATURES: Supplied already assembled in lengths of 3 or 6 meters.

BOX QUANTITY: 2 bars of 6 Mt. (total 12 Mt.), or 2 bars of 3 Mt. (total 6 Mt.).

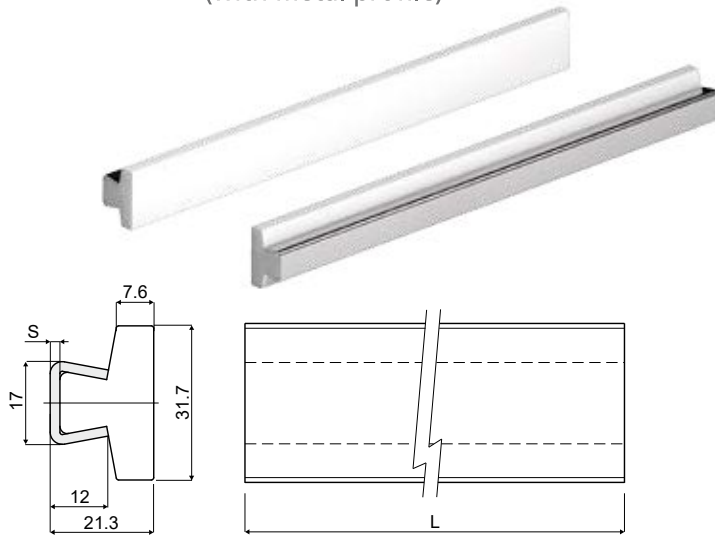
ON REQUEST:

- Box quantity: According to your request.

Product guides and accessories

Part. 420

Side guide rail, flat type (with metal profile)



Code	S	L
420 / 84808	1,5	6000
420 / 84810	1,5	3000
420 / 84809	2	6000
420 / 84811	2	3000

MATERIALS: Guide profile in natural polyethylene; metal profile in stainless steel AISI 304.

FEATURES: Supplied in lengths of 3 or 6 Mt.

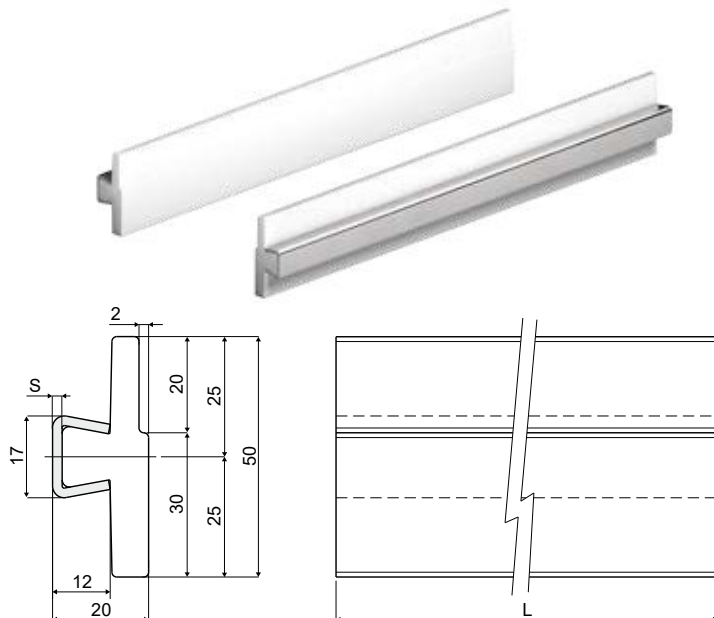
BOX QUANTITY: 2 lengths of 6 Mt. (total 12 Mt.), or 2 lengths of 3 Mt. (total 6 Mt.).

ON REQUEST:

- Box quantity: According to your request.

Part. 353

Guide rail (with metal profile)



Code	S	L
353 / 84196	1,5	6000
353 / 84197	1,5	3000
353 / 83441	2	6000
353 / 83881	2	3000

MATERIALS: Plastic profile in polyethylene natural colour; metal profile in stainless steel AISI 304.

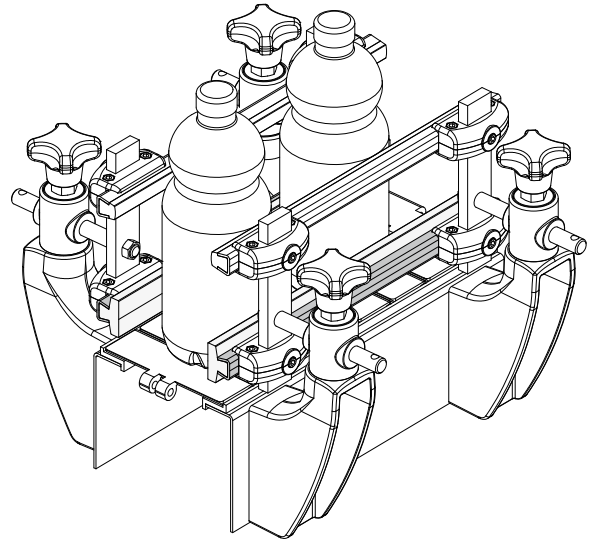
FEATURES: Supplied already assembled in lengths of 3 or 6 meters.

BOX QUANTITY: 2 bars of 6 Mt. (total 12 Mt.), or 2 bars of 3 Mt. (total 6 Mt.).

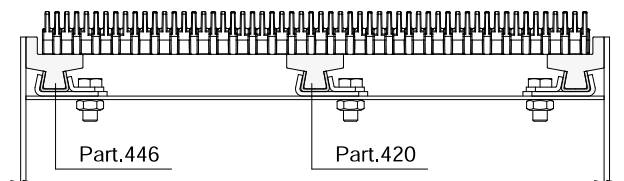
ON REQUEST:

- Box quantity: According to your request.

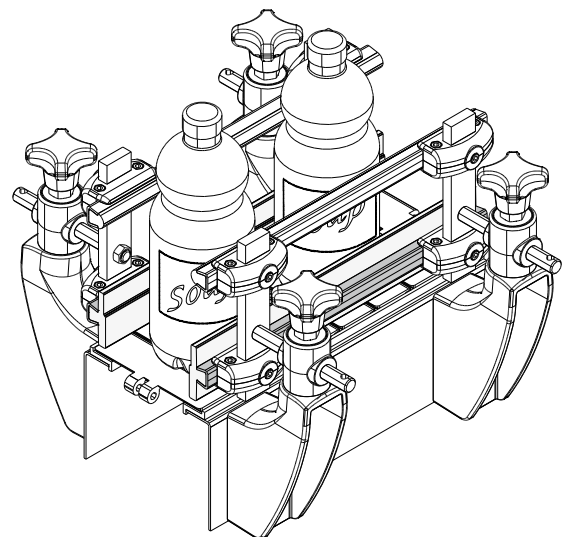
Example of application



Example of application

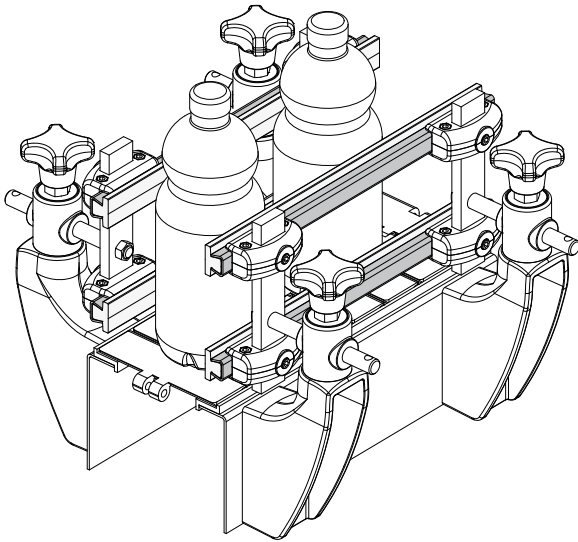


Example of application



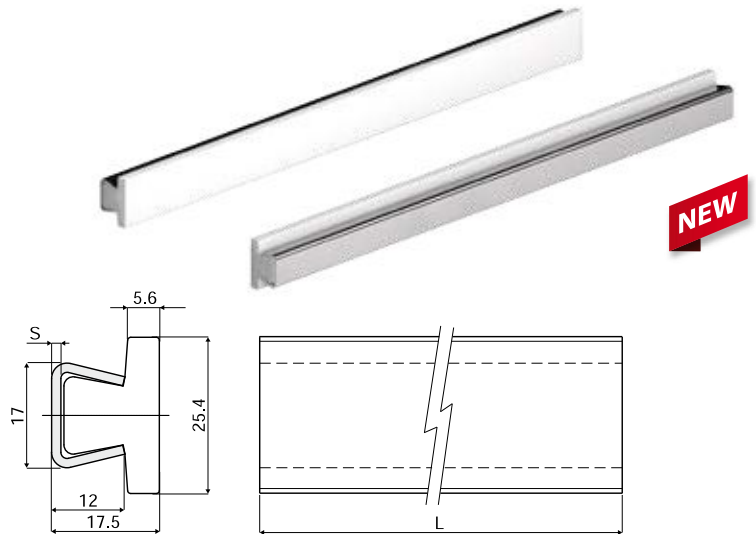
Product guides and accessories

Example of application



Side guide rail, flat type (with metal profile)

Part. **469**



Code	S	L
469 / 85588	1,5	6000
469 / 85589	1,5	3000
469 / 85590	2	6000
469 / 85591	2	3000

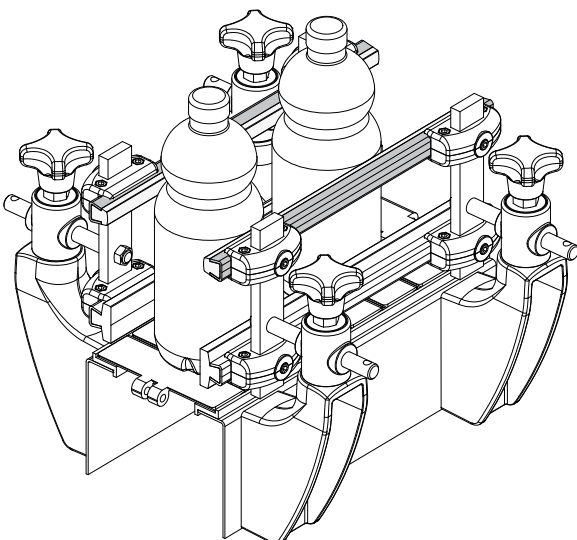
MATERIALS: Guide profile made of HD polyethylene natural; metal profile in stainless steel AISI 304.
FEATURES: Supplied in lengths of 3 or 6 Mt.

BOX QUANTITY: 2 lengths of 6 Mt. (total 12 Mt.), or 2 lengths of 3 Mt. (total 6 Mt.).

ON REQUEST:

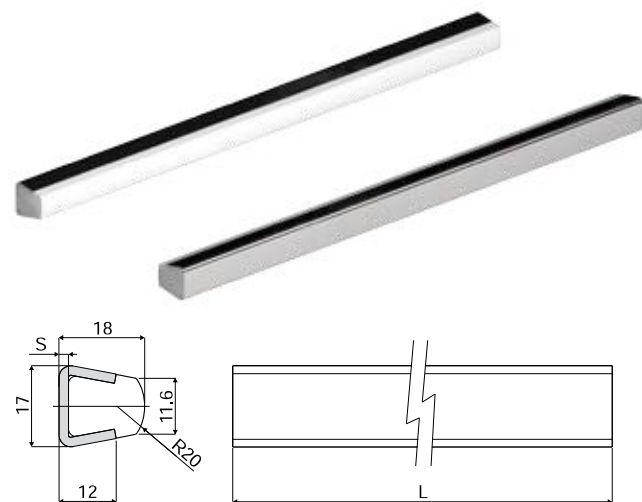
- Box quantity: According to your request.

Example of application



Product guide rail (with metal profile)

Part. **419**



Code	S	L
419 / 84804	1,5	6000
419 / 84806	1,5	3000
419 / 84805	2	6000
419 / 84807	2	3000

MATERIALS: Guide profile in natural polyethylene; metal profile in stainless steel AISI 304.

FEATURES: Supplied in lengths of 3 or 6 Mt.

BOX QUANTITY: 2 lengths of 6 Mt. (total 12 Mt.), or 2 lengths of 3 Mt. (total 6 Mt.).

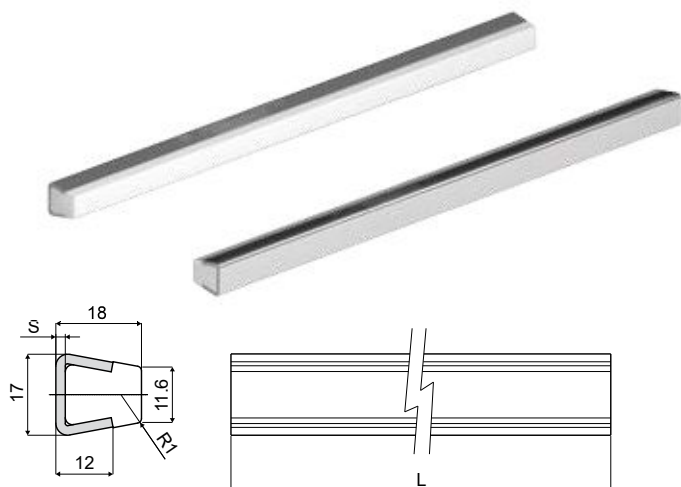
ON REQUEST:

- Box quantity: According to your request.

Product guides and accessories

Part. 418

Product guide rail (with metal profile)



Code	S	L
418 / 84800	1,5	6000
418 / 84802	1,5	3000
418 / 84801	2	6000
418 / 84803	2	3000

MATERIALS: Guide profile in natural polyethylene; metal profile in stainless steel AISI 304.

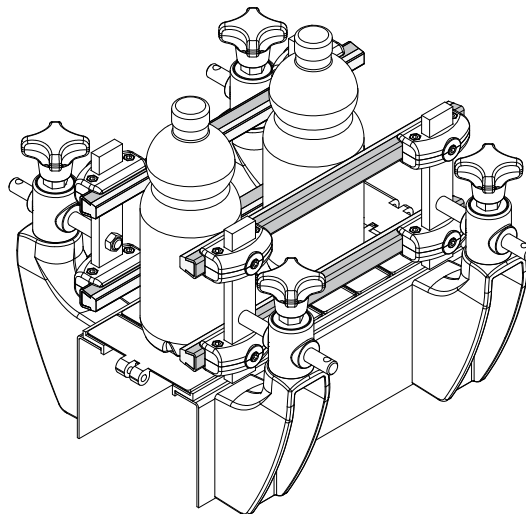
FEATURES: Supplied in lengths of 3 or 6 Mt.

BOX QUANTITY: 2 lengths of 6 Mt. (total 12 Mt.), or 2 lengths of 3 Mt. (total 6 Mt.).

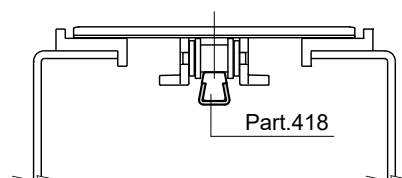
ON REQUEST:

- Box quantity: According to your request.

Example of application

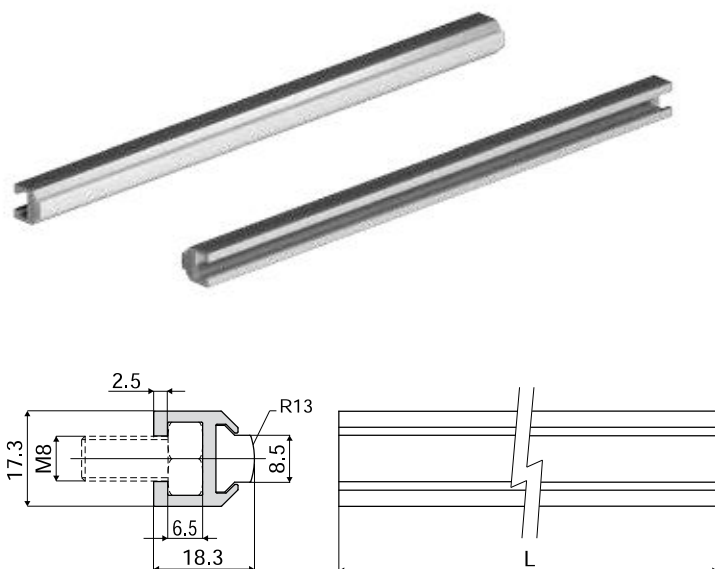


Example of application



Part. 438

Guide rail (semicircular)



Code	L
438 / 85237	3000
438 / 85238	6000

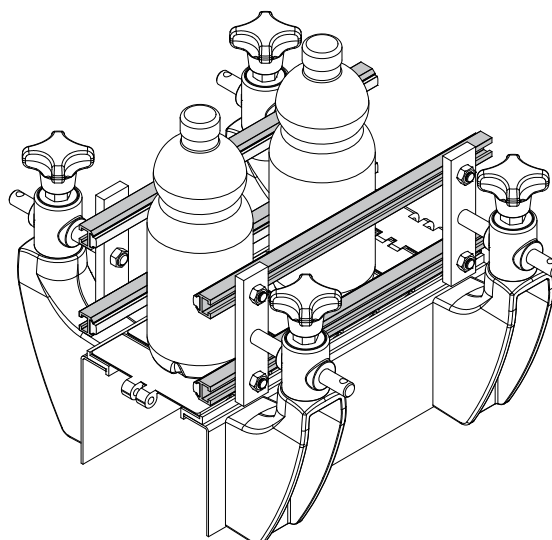
MATERIALS: Guide profile in UHMWPE white colour, metal profile in anodized aluminium.

BOX QUANTITY: 2 lengths of 6 Mt. (total 12 Mt.), or 2 lengths of 3 Mt. (total 6 Mt.).

ON REQUEST:

- Box quantity: According to your request.

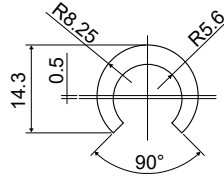
Example of application



Product guides and accessories

Extruded product guide rails in coils of 50 Mt.

Part. **370**



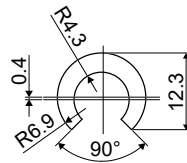
Code

370 / 83726

- MATERIALS:** Extruded HMWPE white colour.
BOX QUANTITY: This item is sold in Mt. - Min. 50 Mt.
FEATURES: To be used with 12 mm diameter rods.
ON REQUEST:
- Guide rails: Different colours and lengths.

Extruded product guide rails in coils of 50 Mt.

Part. **371**



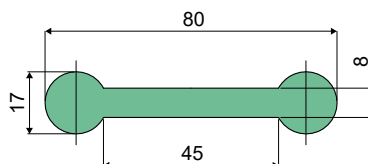
Code

371 / 83727

- MATERIALS:** Extruded HMWPE white colour.
BOX QUANTITY: This item is sold in Mt. - Min. 50 Mt.
FEATURES: To be used with 10 mm diameter rods.
ON REQUEST:
- Guide rails: Different colours and lengths.

Extruded product guide rails in 6 Mt. lengths

Part. **372**



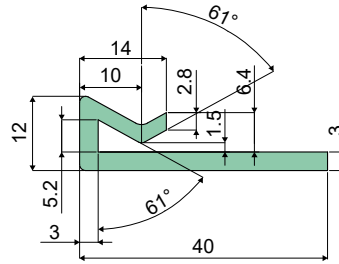
Code

372 / 83728

- MATERIALS:** Extruded HMWPE green colour.
BOX QUANTITY: This item is sold in Mt. - Min. 12 Mt. (2 lengths).
ON REQUEST:
- Guide rails: Different colours and lengths.

Chain guides and accessories

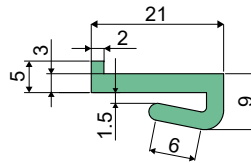
Part. **361** Extruded profile supplied in coils of 50 / 60 Mt. For plates from 2 to 4 mm.



Code
361 / 83717

MATERIALS: Extruded UHMWPE green colour.
BOX QUANTITY: This item is sold in Mt. - Min. 50 Mt.
ON REQUEST:
• Guide profiles: Different colours and lengths.

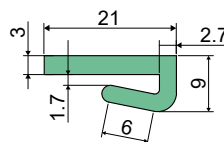
Part. **362** Extruded profile supplied in coils of 50 / 60 Mt. For plates from 2 to 4 mm.



Code
362 / 83718

MATERIALS: Extruded UHMWPE green colour.
BOX QUANTITY: This item is sold in Mt. - Min. 50 Mt.
ON REQUEST:
• Guide profiles: Different colours and lengths.

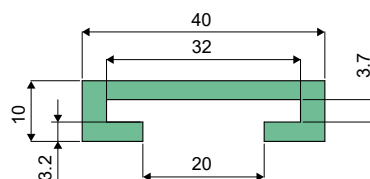
Part. **363** Extruded profile supplied in coils of 50 / 60 Mt. For plates from 2 to 4 mm.



Code
363 / 83719

MATERIALS: Extruded UHMWPE green colour.
BOX QUANTITY: This item is sold in Mt. - Min. 50 Mt.
ON REQUEST:
• Guide profiles: Different colours and lengths.

Part. **364** Extruded chain guide profiles for flat 30x3 mm. supplied in 3 Mt. lengths



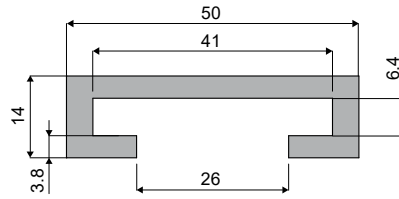
Code
364 / 83720

MATERIALS: Extruded UHMWPE green colour.
BOX QUANTITY: This item is sold in Mt. - Min. 6 Mt. (2 lengths).
ON REQUEST:
• Guide profiles: Different colours and lengths.

Chain guides and accessories

Extruded chain guide profiles for flat 40x6 mm. supplied in 6 Mt. lengths

Part. **365**

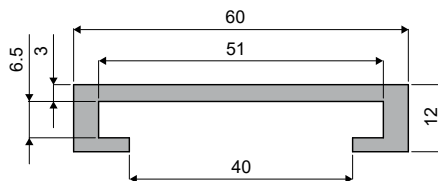


Code
365 / 83721

MATERIALS: Extruded UHMWPE black colour.
BOX QUANTITY: This item is sold in Mt. - Min. 12 Mt. (2 lengths).
ON REQUEST:
• Guide profiles: Different colours and lengths.

Extruded chain guide profiles for flat 50x6 mm. supplied in 6 Mt. lengths

Part. **366**

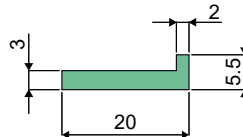


Code
366 / 83722

MATERIALS: Extruded UHMWPE black colour.
BOX QUANTITY: This item is sold in Mt. - Min. 12 Mt. (2 lengths).
ON REQUEST:
• Guide profiles: Different colours and lengths.

Extruded chain guide profiles supplied in coils of 50 Mt.

Part. **367**

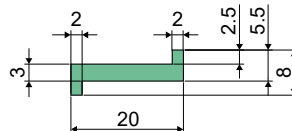


Code
367 / 83723

MATERIALS: Extruded UHMWPE green colour.
BOX QUANTITY: This item is sold in Mt. - Min. 50 Mt.
ON REQUEST:
• Guide profiles: Different colours and lengths.

Extruded chain guide profiles supplied in coils of 50 Mt.

Part. **368**

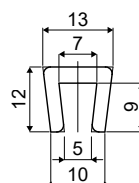


Code
368 / 83724

MATERIALS: Extruded UHMWPE green colour.
BOX QUANTITY: This item is sold in Mt. - Min. 50 Mt.
ON REQUEST:
• Guide profiles: Different colours and lengths.

Extruded chain guide profiles supplied in coils of 50 Mt. For plates from 6 to 7 mm.

Part. **369**

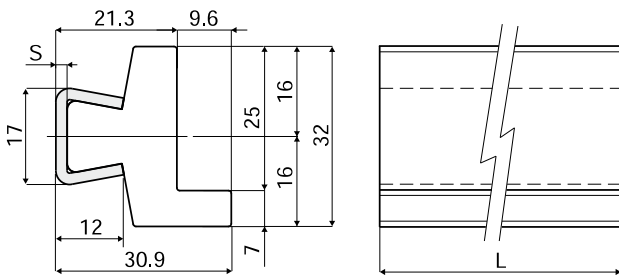


Code
369 / 83725

MATERIALS: Extruded UHMWPE white colour.
BOX QUANTITY: This item is sold in Mt. - Min. 50 Mt.
ON REQUEST:
• Guide profiles: Different colours and lengths.

Chain guides and accessories

Part. 446 Guide rail (with metal profile)



Code	S	L
446 / 85355	1,5	6000
446 / 85356	1,5	3000
446 / 85358	2	6000
446 / 85357	2	3000

MATERIALS: Plastic profile in polyethylene natural colour; metal profile in stainless steel AISI 304.

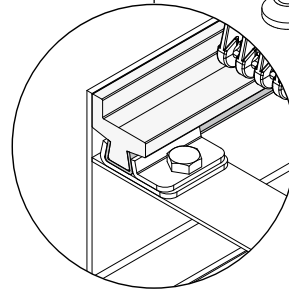
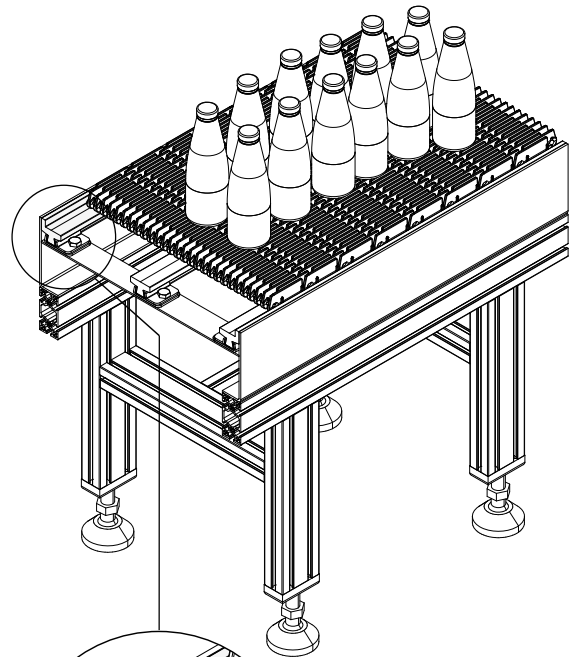
FEATURES: Supplied already assembled in lengths of 3 or 6 meters.

BOX QUANTITY: 2 bars of 6 Mt. (total 12 Mt.), or 2 bars of 3 Mt. (total 6 Mt.).

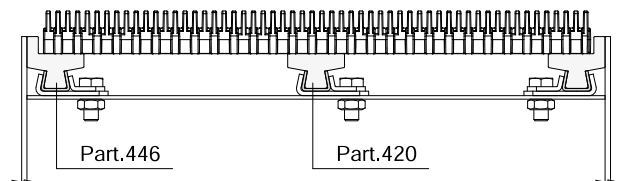
ON REQUEST:

- Box quantity: According to your request.

Example of application

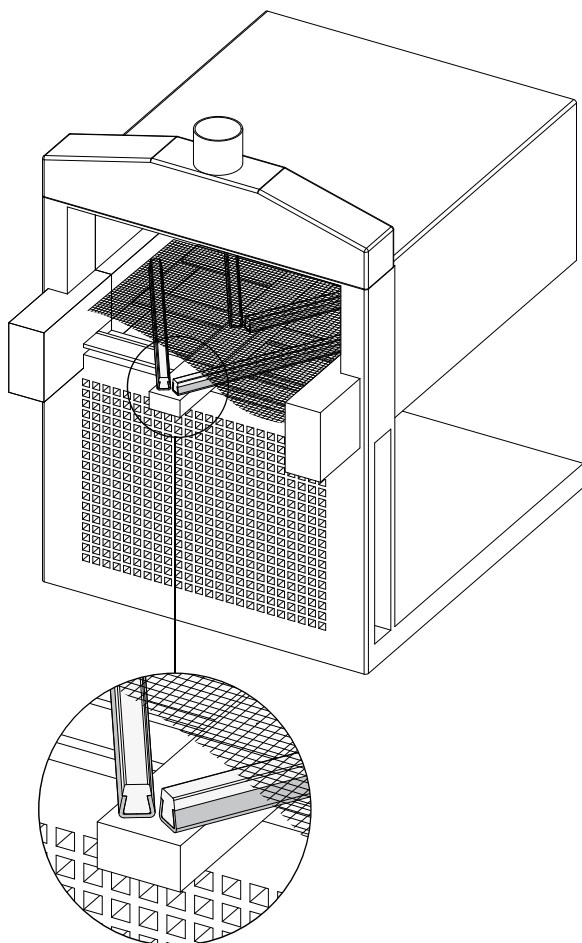


Example of application



Chain guides and accessories

Example of application



Guide rail for high temperatures (with metal profile)

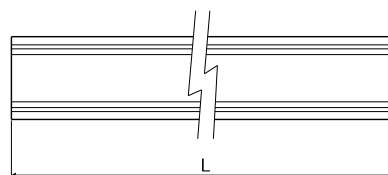
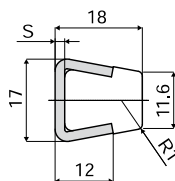
Part. **377**



High temperatures resistant



Operating temperatures up to 260°C



Code	S	L
377 / 85476	1,5	3000
377 / 83973	2	3000

MATERIALS: Guide profile in PTFE (Teflon) natural colour; metal profile in stainless steel AISI 304.

FEATURES: To be used in every application where the resistance to the high temperatures is needed; for example: ovens, fryers, filling areas with high temperature, steam rooms, kitchens etc. Supplied in 3 meters lengths.

BOX QUANTITY: 2 bars of 3 meters (total 6 meters).

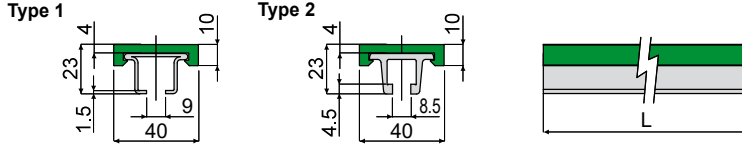
ON REQUEST:

- Box quantity: According to your request.

Chain guides and accessories

Chain guide profile

Part. 381



Type 1			Type 2			
Metal profile in stainless steel AISI 304		Metal profile in stainless steel AISI 430	Metal profile in aluminium			
Code	Code	Colour	L	Code	Colour	L
381 / 84085	381 / 84086	Green	3 Mt.	381 / 84474	Green	3 Mt.
381 / 84954	381 / 84955	Green	6 Mt.	381 / 84475	Green	6 Mt.
381 / 84942	381 / 84946	White	3 Mt.	381 / 84944	White	3 Mt.
381 / 84943	381 / 84947	White	6 Mt.	381 / 84945	White	6 Mt.
381 / 84948	381 / 84952	Black	3 Mt.	381 / 84950	Black	3 Mt.
381 / 84949	381 / 84953	Black	6 Mt.	381 / 84951	Black	6 Mt.

MATERIALS: Metal profile in stainless steel AISI 304, AISI 430 or aluminium; guide profile in polyethylene.

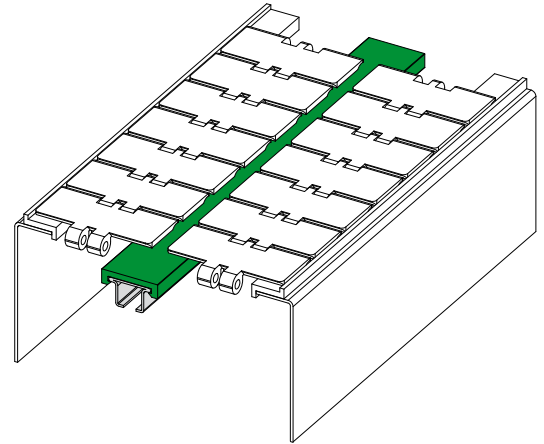
FEATURES: Supplied in lengths of 3 or 6 Mt.

BOX QUANTITY: 2 lengths of 6 Mt. (total 12 Mt.), or 2 lengths of 3 Mt. (total 6 Mt.).

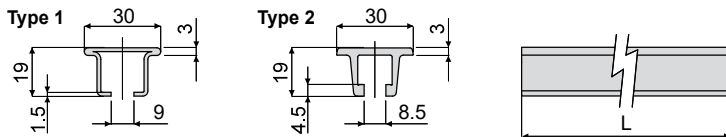
ON REQUEST:

- Guide profiles: In antistatic material black colour.
- Box quantity: According to your request.

Example of application



Part. 384 Chain guide profile



Type 1			Type 2	
Metal profile in stainless steel AISI 304		Metal profile in stainless steel AISI 430	Metal profile in aluminium	
Code	Code	L	Code	L
384 / 84121	384 / 84122	3 Mt.	384 / 84476	3 Mt.
384 / 84956	384 / 84957	6 Mt.	384 / 84477	6 Mt.

MATERIALS: Metal profile in stainless steel AISI 304, AISI 430 or aluminium.

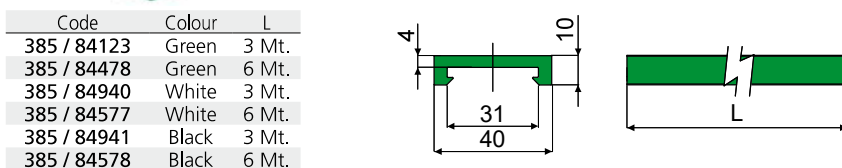
FEATURES: Supplied in lengths of 3 or 6 Mt.

BOX QUANTITY: 2 lengths of 6 Mt. (total 12 Mt.), or 2 lengths of 3 Mt. (total 6 Mt.).

ON REQUEST:

- Box quantity: According to your request.

Part. 385 Chain guide profile



MATERIALS: Guide profile in polyethylene.

FEATURES: Supplied in lengths of 3 or 6 Mt.

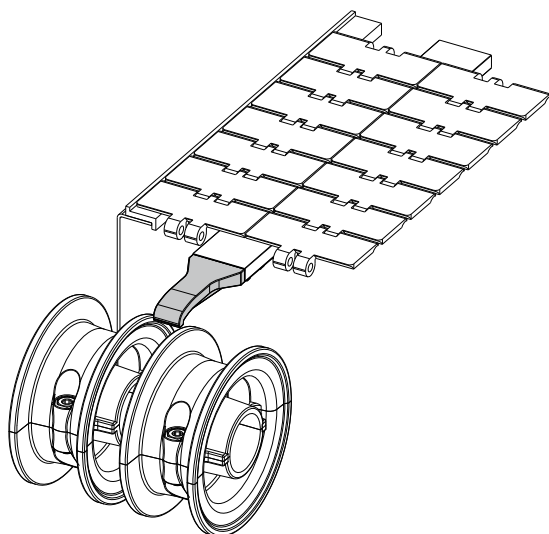
BOX QUANTITY: 2 lengths of 6 Mt. (total 12 Mt.), or 2 lengths of 3 Mt. (total 6 Mt.).

ON REQUEST:

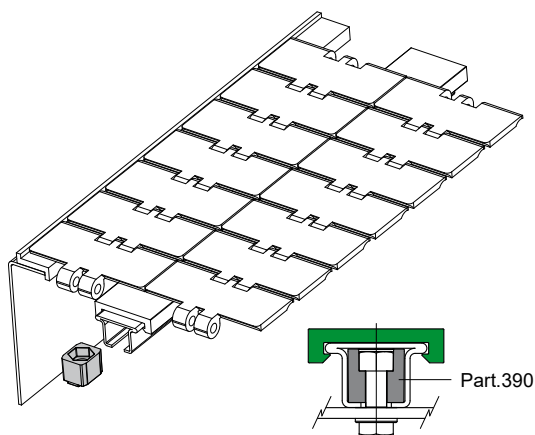
- Guide profiles: In antistatic material black colour.
- Box quantity: According to your request.

Chain guides and accessories

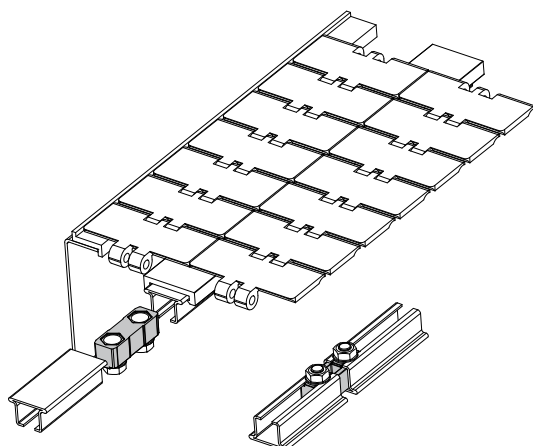
Example of application



Example of application

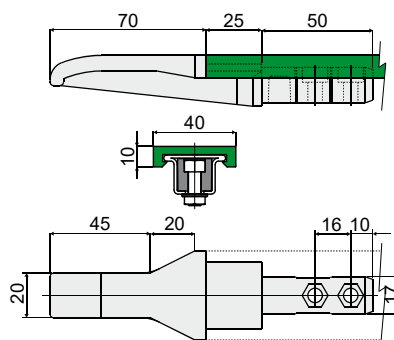


Example of application



Chain inlet guide shoe (central)

Part. **389**



Code
389 / 84165

MATERIALS: Shoe in black polyamide.

FEATURES: To be assembled near to the idler wheels to drive the chain on the transport guides: Part.381, 384 (excluding versions with aluminium metal profile).

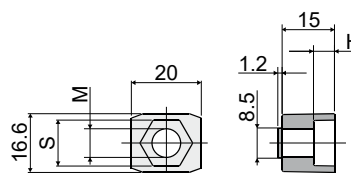
BOX QUANTITY: 24 pieces.

ON REQUEST:

- Shoes: In various colours.
- Box quantity: According to your request.

Mounting block for chain guide profile

Part. **390**



Code	M	H	S
390 / 84166	M6	4.5	10
390 / 84167	M8	6.0	13

MATERIALS: Mounting block in reinforced polyamide, black colour.

FEATURES: To be used for the guide fixing on the frame: Part.381, 384 (excluding versions with aluminium metal profile).

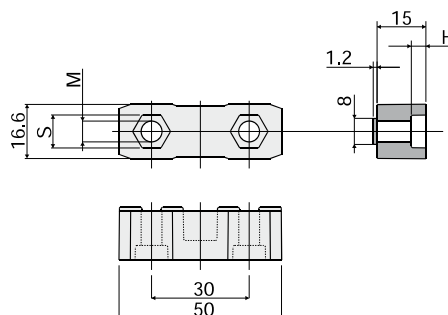
BOX QUANTITY: 96 pieces.

ON REQUEST:

- Mounting blocks: In various colours.
- Box quantity: According to your request.

Connecting block for chain guide profile

Part. **391**



Code	M	H	S
391 / 84168	M6	4.5	10
391 / 84169	M8	6.0	13

MATERIALS: Connecting block in reinforced polyamide, black colour.

FEATURES: To be used to joint the guides: Part.381, 384 (excluding versions with aluminium metal profile).

BOX QUANTITY: 48 pieces.

ON REQUEST:

- Connecting blocks: In various colours.
- Box quantity: According to your request.