

B226AE

UL94-V0



SELF-EXTINGUISHING SOLID HANDLE WITH THREADED INSERT

Material:
Self-extinguishing reinforced polyamide UL94 V0 with yellow card.
Oils and greases resistant.

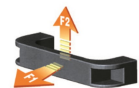
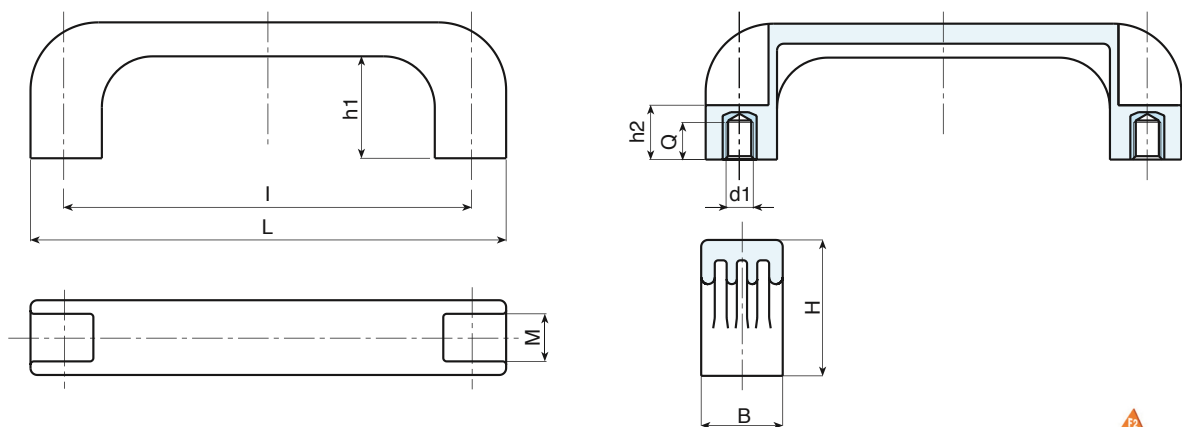
Surface:
Satin.

Colour:
Black (RAL 9011).

Main Insert:
Brass blind threaded bush (tolerance 6H).

SPECIAL REQUEST:

- It is possible to supply the inserts in different materials, on request and for quantities.



Art.	L	I	B	M	H	h1	h2	Q	d1	Δg	F1 (N)	F2 (N)
● B226094.TM0501AE	110	94	21	13	37	29	13	7	M05	23	4300	1300
● B226094.TM0601AE	110	94	21	13	37	29	13	7	M06	23	4300	1300
● B226117.TM0501AE	140	117	24	13	40	29	15	10	M05	43	4100	2800
● B226117.TM0601AE	140	117	24	13	40	29	15	9	M06	43	4100	2800
● B226117.TM0801AE	140	117	24	13	40	29	15	9	M08	43	4100	2800
● B226120.TM0501AE	140	120	24	14	40	29	15	10	M05	43	6100	2800
● B226120.TM0601AE	140	120	24	14	40	29	15	9	M06	43	6100	2800
● B226120.TM0801AE	140	120	24	14	40	29	15	9	M08	43	6100	2800
● B226132.TM0501AE	151	132	26	14	43	31	16	10	M05	70	7300	3500
● B226132.TM0601AE	151	132	26	14	43	31	16	9	M06	70	7300	3500
● B226132.TM0801AE	151	132	26	14	43	31	16	9	M08	70	3700	2800
● B226180.TM0801AE	200	180	28	17	51	39	21	14	M08	88	3700	2800
● B226235.TM0801AE	262	235	32	20	53	40	21	14	M08	123	4300	3200
● B226235.TM1001AE	262	235	32	20	53	40	21	14	M10	123	4300	3200