

# F178 CIN

+135°  
-30°

PA6  
+G.F.

UL94  
HB

RoHS  
COMPLIANT

## INOX

## SOLID 6 LOBE HANDWHEEL WITH STAINLESS STEEL MALE THREADED STUD

**Material:**  
Reinforced polyamide.  
Oils and greases resistant.

**Surface:**  
Satin.

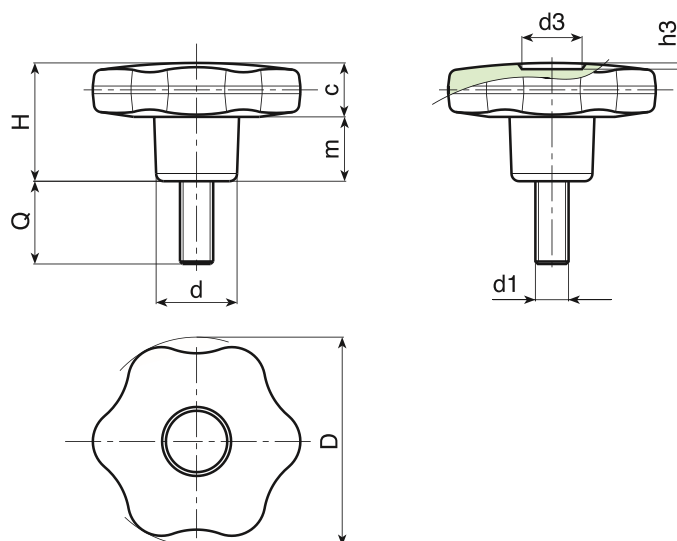
**Colour:**  
Black (RAL 9011).

**Main Insert:**  
Stainless steel threaded stud (AISI 304) (tolerance 6g).



### SPECIAL REQUESTS:

- It is possible to supply inserts in different lengths or by special design, on request and for quantities.
- It is possible to supply colours as shown in the table on page F-45, on request and for quantities.



Art.	D	H	d	c	m	d3	h3	LM	d1 <sub>6g</sub>	Q	g
F17830.TM05X..01CIN	30	22	15	11	11	9	1,5	80	M05	16-20-40	14-15-17
F17830.TM06X..01CIN	30	22	15	11	11	9	1,5	80	M06	16-20-30-40	16-17-18-19
F17830.TM08X..01CIN	30	22	15	11	11	9	1,5	80	M08	20-30	21-25
F17830.TM10X2001CIN	30	22	15	11	11	9	1,5	80	M10	20	28
F17840.TM06X..01CIN	40	24,5	17	12	12,5	12	1	130	M06	20-30-40	25-27-28
F17840.TM08X..01CIN	40	24,5	17	12	12,5	12	1	130	M08	20-30-40	30-33-36
F17840.TM10X4001CIN	40	24,5	17	12	12,5	12	1	130	M10	40	45
F17850.TM08X4001CIN	50	29	20	14	15	14,5	1,5	130	M08	40	55
F17850.TM10X..01CIN	50	29	20	14	15	14,5	1,5	130	M10	20-30-40-50	55-60-65-70
F17850.TM12X..01CIN	50	29	20	14	15	14,5	1,5	130	M12	A.R.	-
F17860.TM08X4001CIN	60	34	24	16	18	18	1,5	130	M08	40	74
F17860.TM10X4001CIN	60	34	24	16	18	18	1,5	130	M10	40	74-80-85
F17860.TM12X..01CIN	60	34	24	16	18	18	1,5	130	M12	20-40	95-109
F17860.TM14X..01CIN	60	34	24	16	18	18	1,5	130	M14	A.R.	-

Enter the stud length choice in the two .. of the article code. Lengths by request with 150 pieces minimum quantity.

LM = Maximum mouldable length.

A.R. = By request. Minimum order quantity 150.