

# F188 PIN



**INOX**

## SOLID CROSS HANDWHEEL WITH FEMALE RIGHT THROUGH THREADED STAINLESS STEEL INSERT

**Material:**  
Reinforced polyamide.  
Oils and greases resistant.

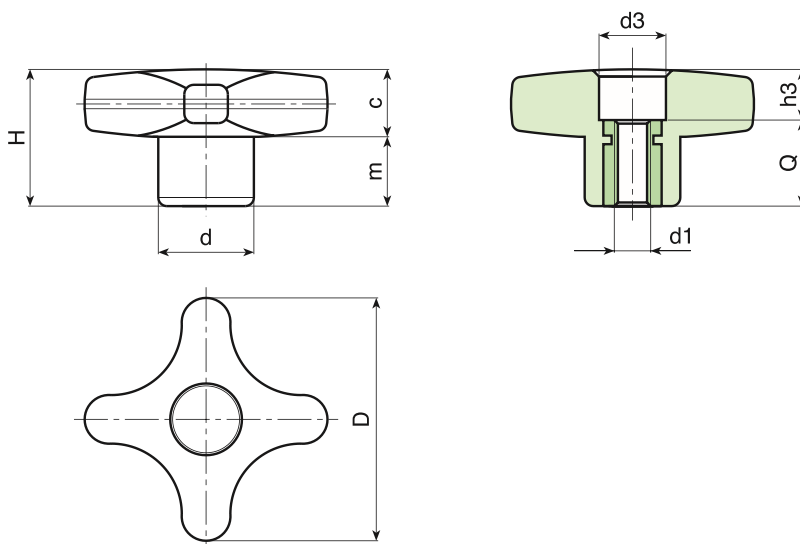
**Surface:**  
Satin.

**Colour:**  
Black (RAL 9011).

**Main Insert:**  
Stainless steel right through threaded bush (AISI 303) (tolerance 6H).

### SPECIAL REQUEST:

- It is possible to supply colours as shown in the table at pag. F-45, on request and for quantities.



	Art.	D	H	d	c	m	d3	h3	d1 6H	Q	g
●	F18832.TM0501PIN	32	23	15	11	11	10	5	M05	18	10
●	F18832.TM0601PIN	32	23	15	11	11	10	5	M06	18	10,5
●	F18832.TM0801PIN	32	23	15	11	11	10	5	M08	18	11
●	F18840.TM0601PIN	40	24,5	16	12	12,5	12	6,5	M06	18	13
●	F18840.TM0801PIN	40	24,5	16	12	12,5	12	6,5	M08	18	15
●	F18840.TM1001PIN	40	24,5	16	12	12,5	12	6,5	M10	18	16
●	F18850.TM0801PIN	50	29	20	14	15	14	11	M08	18	24
●	F18850.TM1001PIN	50	29	20	14	15	14	11	M10	18	25
●	F18850.TM1201PIN	50	29	20	14	15	14	11	M12	18	26
●	F18860.TM0801PIN	60	34	24	15,5	18,5	16	16	M08	18	34
●	F18860.TM1001PIN	60	34	24	15,5	18,5	16	16	M10	18	38
●	F18860.TM1201PIN	60	34	24	15,5	18,5	16	16	M12	18	40