

F661-F761



SOLID 3 LOBE HANDWHEEL WITH FEMALE THREADED INSERT

Material:
Reinforced polyamide. Oils and greases resistant.

Surface: Satin.

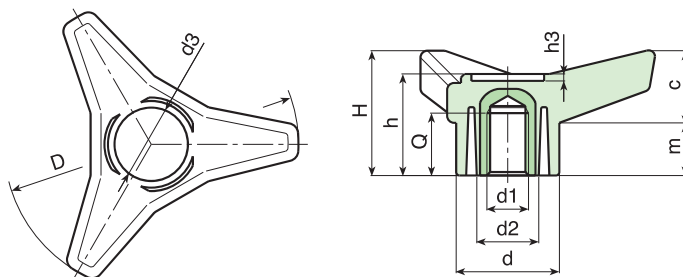
Colour: Black (RAL 9011).

Main Insert:
Brass blind threaded bush (tolerance 6H).
(*) Zinc plated steel blind threaded bush (tolerance 6H).

Hub:
F661= Solid version.
F761= Hollow underneath version.

SPECIAL REQUESTS:

- It is possible to supply the inserts in different materials, on request and for quantities.
- It is possible to supply colours as shown in the table on page F-45, on request and for quantities.



Version F761: Hollow underneath hub

Art.	D	H	h	d	c	m	d2	d3	h3	d1 6H	Q	g
F761085.TM0801	85	37	30,5	30	21	16	18/-	21	2	M08	15	53
F761085.TM1001	85	37	30,5	30	21	16	18/-	21	2	M10	14	55
F761085.TM1201	85	37	30,5	30	21	16	18/-	21	2	M12	19	60
F761105.TM0801	105	46	37,5	35	26	19	20/-	25	2	M08	15	89
F761105.TM1001	105	46	37,5	35	26	19	20/-	25	2	M10	17	90
F761105.TM1201	105	46	37,5	35	26	19	20/-	25	2	M12	17	97
F761105.TM1401	105	46	37,5	35	26	19	20/-	25	2	M14	19	98
F761125.TM1201	125	54	44	42,5	31	23	26/-	28,5	2	M12	18	160
F761125.TM1401	125	54	44	42,5	31	23	26/-	28,5	2	M14	18	165

Version F661: Solid hub

Art.	D	H	h	d	c	m	d2	d3	h3	d1 6H	Q	g
F661045.TM0601	45	21	18	16	11	10	-/-	11	1	M06	9	10
F661045.TM0801	45	21	18	16	11	10	-/-	11	1	M08	11	14
F661045.TM1001	45	21	18	16	11	10	-/-	11	1	M10	10	15
F661065.TM0801	65	28	23,5	22	16,5	11,5	-/-	15,5	1,5	M08	11	28
F661065.TM1001	65	28	23,5	22	16,5	11,5	-/-	15,5	1,5	M10	11	29
F661065.TM1201	65	28	23,5	22	16,5	11,5	-/-	15,5	1,5	M12	13	31
F661085.TM0801	85	37	30,5	30	21	16	18/-	21	2	M08	15	53
F661085.TM1001	85	37	30,5	30	21	16	18/-	21	2	M10	14	55
F661085.TM1201	85	37	30,5	30	21	16	18/-	21	2	M12	19	60
F661105.TM0801	105	46	37,5	35	26	19	20/-	25	2	M08	15	89
F661105.TM1001	105	46	37,5	35	26	19	20/-	25	2	M10	17	90
F661105.TM1201	105	46	37,5	35	26	19	20/-	25	2	M12	17	97
F661105.TM1401	105	46	37,5	35	26	19	20/-	25	2	M14	19	98
F661125.TM1201	125	54	44	42,5	31	23	26/-	28,5	2	M12	18	160
F661125.TM1401	125	54	44	42,5	31	23	26/-	28,5	2	M14	18	165
F661125.TM1601	125	54	44	42,5	31	23	-/-	28,5	2	(*) M16	21	177
F661125.TM1801	125	54	44	42,5	31	23	-/-	28,5	2	(*) M18	21	182

F662



SOLID 3 LOBE HANDWHEEL WITH FEMALE BORED INSERT

Material:
Reinforced polyamide.
Oils and greases resistant.

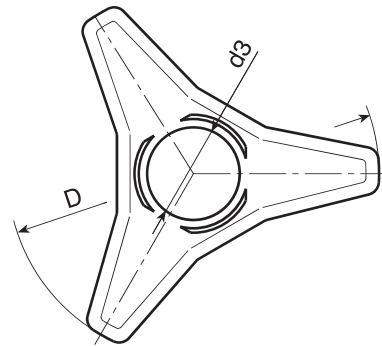
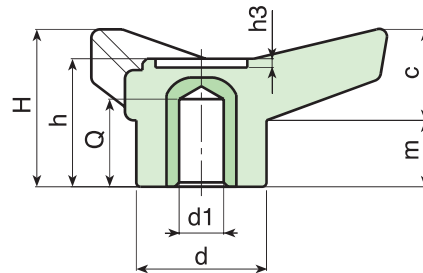
Surface:
Satin.

Colour:
Black (RAL 9011).

Main Insert:
Zinc plated steel bush with smooth hole
(bore tolerance H10).

SPECIAL REQUESTS:

- It's possible to supply the inserts with d1 bore by customer design, on request and for quantities.
- It is possible to supply the inserts in different materials, on request and for quantities.
- It is possible to supply colours as shown in the table on page F-45, on request and for quantities.



Art.	D	H	h	d	c	m	d3	h3	dm	d1 H10	Q	g
F662045.TD0601	45	21	18	16	11	10	11	1	-	06	8	14
F662065.TD0501	65	28	23,5	22	16,5	11,5	15,5	1,5	10	05	13	36
F662065.TD1001	65	28	23,5	22	16,5	11,5	15,5	1,5	10	10	13	34
F662085.TD0501	85	37	30,5	30	21	16	21	2	16	05	19	72
F662085.TD1001	85	37	30,5	30	21	16	21	2	16	10	19	70
F662085.TD1201	85	37	30,5	30	21	16	21	2	16	12	19	69
F662085.TD1401	85	37	30,5	30	21	16	21	2	16	14	19	65
F662105.TD0501	105	46	37,5	35	26	19	25	2	18	05	24	100
F662105.TD1201	105	46	37,5	35	26	19	25	2	18	12	24	98
F662105.TD1401	105	46	37,5	35	26	19	25	2	18	14	24	95
F662105.TD1601	105	46	37,5	35	26	19	25	2	18	16	24	90
F662125.TD0801	125	54	44	42,5	31	23	28	2	22	08	26	192

Attention: bore d1 (H10 tolerance) could be produced by request, with 50 pieces minimum.

Dm = It's possible to increase the hole, by boring, until Dm (enlarge).

Presumable presence in the stock in %
90% 40% 5%