

F664-F764



SOLID 3 LOBE HANDWHEEL WITH MALE THREADED STUD

Material:
Reinforced polyamide.
Oils and greases resistant.

Surface:
Satin.

Colour:
Black (RAL 9011).

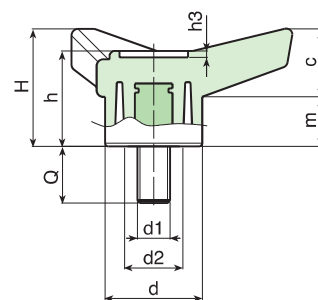
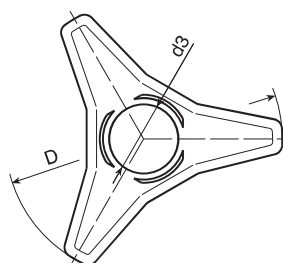
Main Insert:
Zinc plated steel threaded stud (tolerance 6g).

Hub:
F664= Solid version.
F764= Hollow underneath version.



SPECIAL REQUESTS:

- It is possible to supply inserts in different lengths or by special design, on request and for quantities.
- It is possible to supply inserts in different materials, on request and for quantities.
- It is possible to supply colours as shown in the table on page F-45, on request and for quantities.



Version F764: Hollow underneath hub

Art.	D	H	h	d	c	m	d2	d3	h3	LM	d1 _{6g}	Q	Δ g
F764085.TM08X..01	85	37	30,5	30	21	16	18/-	21	2	60	M08	20-30-40	61-65-69
F764085.TM10X..01	85	37	30,5	30	21	16	18/-	21	2	60	M10	20-30-40	66-74-80
F764085.TM12X..01	85	37	30,5	30	21	16	18/-	21	2	60	M12	20-30	83-89
F764105.TM10X..01	105	46	37,5	35	26	19	20/-	25	2	80	M10	30-50	116-122
F764105.TM12X..01	105	46	37,5	35	26	19	20/-	25	2	80	M12	30-50	121-136
F764105.TM14X..01	105	46	37,5	35	26	19	20/-	25	2	80	M14	A.R.	-
F764125.TM12X..01	125	54	44	42,5	31	23	26/-	28,5	2	100	M12	A.R.	-
F764125.TM14X..01	125	54	44	42,5	31	23	26/-	28,5	2	100	M14	A.R.	-

Version F664: Solid hub

Art.	D	H	h	d	c	m	d2	d3	h3	LM	d1 _{6g}	Q	Δ g
F664045.TM06X..01	45	21	18	16	11	10	-/-	11	1	60	M06	20-30	14-17
F664045.TM08X..01	45	21	18	16	11	10	-/-	11	1	60	M08	20-25-30	19-20,5-22
F664045.TM10X..01	45	21	18	16	11	10	-/-	11	1	60	M10	A.R.	-
F664065.TM08X..01	65	28	23,5	22	16,5	11,5	-/-	15,5	1,5	80	M08	20-25-30	36-37,5-39
F664065.TM10X..01	65	28	23,5	22	16,5	11,5	-/-	15,5	1,5	80	M10	20-30-50	43-47-55
F664065.TM12X..01	65	28	23,5	22	16,5	11,5	-/-	15,5	1,5	80	M12	A.R.	-
F664085.TM08X..01	85	37	30,5	30	21	16	18/-	21	2	60	M08	20-25-30	61-65-69
F664085.TM10X..01	85	37	30,5	30	21	16	18/-	21	2	60	M10	25-30-40	66-74-80
F664085.TM12X..01	85	37	30,5	30	21	16	18/-	21	2	60	M12	20-30-40	83-87-94
F664105.TM10X..01	105	46	37,5	35	26	19	20/-	25	2	80	M10	20-30-40	113-116-122
F664105.TM12X..01	105	46	37,5	35	26	19	20/-	25	2	80	M12	30-50	121-136
F664105.TM14X5001	105	46	37,5	35	26	19	20/-	25	2	80	M14	50	152
F664125.TM12X3001	125	54	44	42,5	31	23	26/-	28,5	2	100	M12	30	200
F664125.TM14X3001	125	54	44	42,5	31	23	26/-	28,5	2	100	M14	30	219
F664125.TM16X3001	125	54	44	42,5	31	23	-/-	28,5	2	100	M16	30	232
F664125.TM18X..01	125	54	44	42,5	31	23	-/-	28,5	2	100	M18	A.R.	-

Enter the stud length choice in the two .. of the article code. Lengths by request with 150 pieces minimum quantity.

LM = Maximum mouldable length.

A.R. = By request. Minimum order quantity 150 pcs.

Presumable presence in the stock in %
 90% ● 40% ● 5% ●