

H766 CIN



INOX

KNURLED HOLLOWED HANDWHEEL WITH THREADED STUD

Material:
Reinforced polyamide.
Oils and greases resistant.

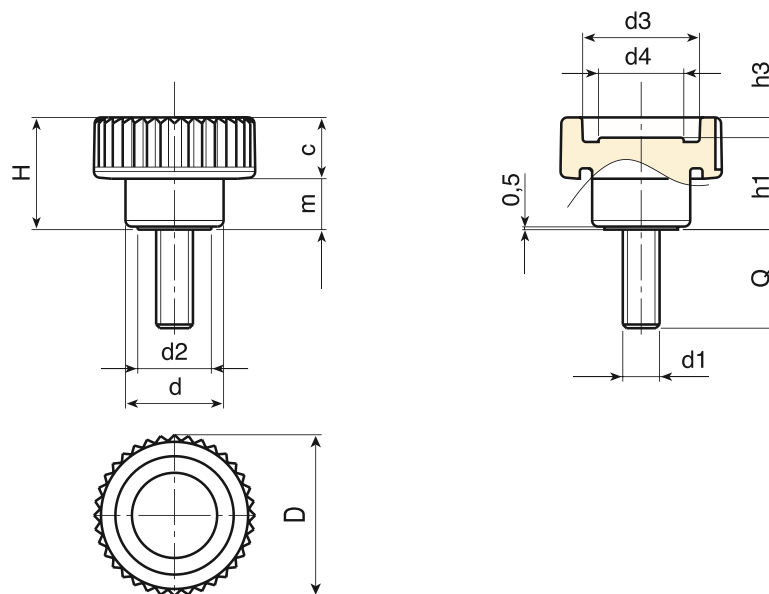
Surface:
Satin.

Colour:
Black (RAL 9011).

Main Insert:
Stainless steel threaded stud (AISI 303)
(tolerance 6g).

SPECIAL REQUESTS:

- It is possible to supply inserts in different lengths or by special design, on request and for quantities.
- It is possible to supply colours as shown in the table on page H-23, on request and for quantities.



	art.	D	H	d	m	c	d2	d3	d4	h1	h3	LM	d1 6g	Q	⚖ g
●	H76615.TM04X..01CIN	15	10,5	10	4,5	6	8	10	7,5	8,5	2	40	M04	A.R.	-
●	H76615.TM05X..01CIN	15	10,5	10	4,5	6	8	10	7,5	8,5	2	40	M05	A.R.	-
●	H76621.TM05X1601CIN	21	15	13	6,5	8,5	9,5	15	10,5	12,5	2,5	40	M05	16	9,5
●	H76621.TM06X..01CIN	21	15	13	6,5	8,5	9,5	15	10,5	12,5	2,5	40	M06	A.R.	-
●	H76626.TM06X..01CIN	26	18	16	8,5	9,5	12	19	13	15	3	80	M06	A.R.	-
●	H76626.TM08X2001CIN	26	18	16	8,5	9,5	12	19	13	15	3	80	M08	20	16,5
●	H76633.TM08X4001CIN	32	23	20	10,5	12,5	15	23	16	18	5	80	M08	40	36
●	H76633.TM10X..01CIN	32	23	20	10,5	12,5	15	23	16	18	5	80	M10	A.R.	-
●	H76640.TM08X..01CIN	40	28	25	12,5	15,5	18	28	21	22	6	100	M08	A.R.	-
●	H76640.TM10X..01CIN	40	28	25	12,5	15,5	18	28	21	22	6	100	M10	A.R.	-
●	H76640.TM12X..01CIN	40	28	25	12,5	15,5	18	28	21	22	6	100	M12	A.R.	-
●	H76640.TM14X..01CIN	40	28	25	12,5	15,5	18	28	21	22	6	100	M14	A.R.	-

Enter the stud length choice in the two .. of the article code. Lengths by request with 250 pieces minimum quantity.

LM = Maximum mouldable length.

A.R. = by request.

Presumable presence in the stock in %
 90% ● 40% ● 5% ●