

# I112



## CONICAL KNOB WITH THREADED STUD

**Material:**  
Reinforced polyamide.  
Oils and greases resistant.

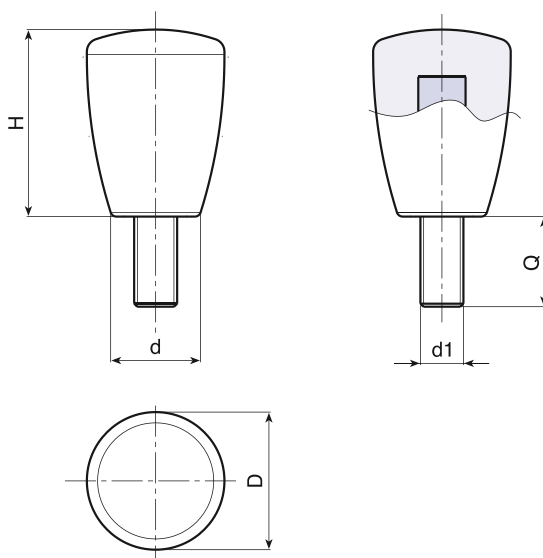
**Surface:**  
Satin.

**Colour:**  
Black (RAL 9011).

**Main Insert:**  
Zinc plated steel threaded stud (tolerance 6g).

### SPECIAL REQUESTS:

- It is possible to supply inserts in different lengths or by special design, on request and for quantities.
- It is possible to supply inserts in different materials, on request and for quantities.
- It is possible to supply colours as shown in the table on page I-25, on request and for quantities.  
(\* ) ATTENTION: Reduced colour range.



	art.	D	H	d	LM	d1	Q	Δ g
●	I11221.TM04X1601	21	28	13	65	M04	16	16
●	I11221.TM05X..01	21	28	13	65	M05	A.R.	-
●	I11221.TM06X1601	21	28	13	65	M06	16	18
●	I11225.TM06X..01	25	34	17	70	M06	A.R.	-
●	I11225.TM08X1601	25	34	17	70	M08	16	20
●	I11225.TM10X2001	25	34	17	70	M10	20	24
●	I11232.TM08X3001	32	43	21	60	M08	30	48
●	I11232.TM10X..01	32	43	21	60	M10	A.R.	-
●	I11232.TM12X..01	32	43	21	60	M12	A.R.	-
●	I11243.TM10X..01	43	58	27	80	(* ) M10	A.R.	-
●	I11243.TM12X..01	43	58	27	80	(* ) M12	A.R.	-
●	I11243.TM14X..01	43	58	27	80	(* ) M14	A.R.	-

Enter the stud length choice in the two .. of the article code. Lengths by request with 250 pieces minimum quantity.

LM = Maximum mouldable length.

Presumable presence in the stock in %   
 90% ● 40% ● 5% ●