

M136



BLACK-OXIDE STEEL AND STAINLESS STEEL REVOLVING AND FOLDING HANDLE

Material:
Reinforced polyamide.
Oils and greases resistant.

Surface:
Satin.

Colour:
Black (RAL 9011).

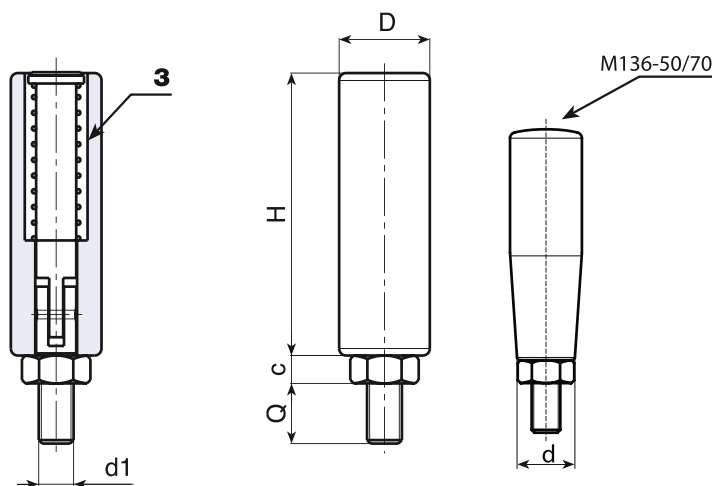
Inserts:
M136
1) Black-oxide treated steel revolving and folding mechanism with head for screwdriver fitting.
2) Black-oxide treated steel nut DIN 934.
3) Zinc-plated steel spring.

M136 CIN
1) Stainless steel revolving and folding mechanism (AISI 303) with head for screwdriver fitting.
2) Stainless steel nut (AISI 304) DIN 934.
3) Stainless steel spring.

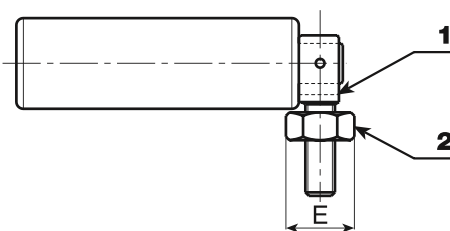


SPECIAL REQUEST:

- It is possible to supply the inserts with a zinc-plated complete treatment, (just add CVZ letters on the end of standard code for black-oxide).
- It is possible to supply colours as shown in the table at pag. M-29, on request and for quantities.



INOX



Version M136 - Black-oxide version

art.	H	D	d	E	c	d1 6g	Q	g	F1 (N)
M13650.TM06X0901	49	20	15	10	5	M06	9	39	270
M13670.TM08X1001	69	25	19	13	6,5	M08	10	71	840
M13682.TM10X1501	81	26	-	17	8	M10	15	152	1700
M13690.TM10X1501	89	26	-	17	8	M10	15	160	2700

Version M136 CIN - Stainless steel version

art.	H	D	d	E	c	d1 6g	Q	g	F1 (N)
M13650.TM06X0901CIN	49	20	15	10	5	M06	9	39	270
M13670.TM08X1001CIN	69	25	19	13	6,5	M08	10	71	840
M13682.TM10X1501CIN	81	26	-	17	8	M10	15	152	1700
M13690.TM10X1501CIN	89	26	-	17	8	M10	15	160	2700

INOX